

# PRODUCT SPECIFICATIONS Peninsula (624BVPF) Designer B Vent



## INTERIOR DIMENSIONS

Side opening width: 36"

Front and side opening height: 22-1/4"

Front opening width: 22-1/8"

## TECHNICAL INFORMATION

Max. Btu Input: 42,000 BTU/HR

Ignition System: Standing Pilot or Electronic

Gas Type: Natural (LP Conversion Kit Available)

Flue Type: B Vent

Vent Size: 6" B Vent

Clearance to Flue: Specified by B Vent Manufacturer

Clearance to Fireplace: 1/2"

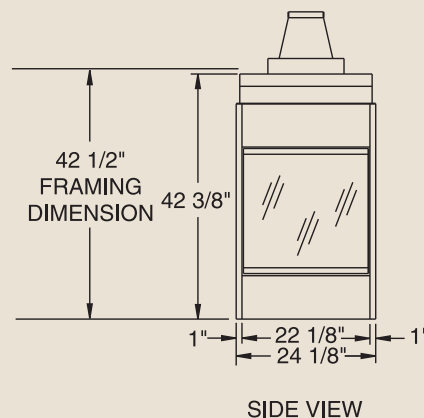
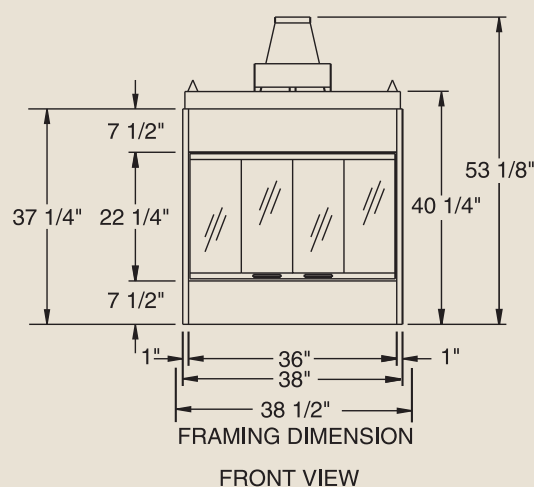
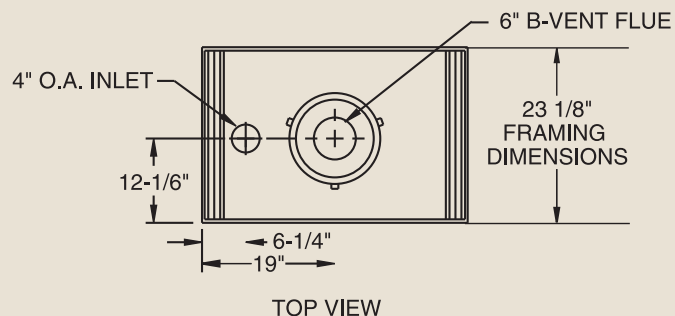
CSA Design Certified

## FIELD INSTALLED ACCESSORIES

Outside Combustion Air Kit: 6AK

Ambient Technologies™ Remote Controls and Thermostats

Firebrick



Framing dimensions in illustrations accommodate 1/2" finishing material.



A Brand of Monessen Hearth Systems Co.  
149 Cleveland Drive, Paris, Kentucky 40361

[www.monessenhearth.com](http://www.monessenhearth.com)

 **Monessen**

To avoid personal injury or property damage, the product described by this brochure must be installed, operated and maintained in strict compliance with the instructions packaged with the product and all applicable building or fire codes. Contact local building or fire officials about restrictions and installation inspection requirements. All photographs and drawings on this brochure are for illustrative purposes only and are not intended for, nor should they be used as a substitute for the instructions packaged with the unit. Appearance and specifications of the product are subject to change without notice. © 2007 Monessen Hearth Systems Co.