

PRODUCT SPECIFICATIONS

See-Thru (624BVST) Designer B Vent



INTERIOR DIMENSIONS

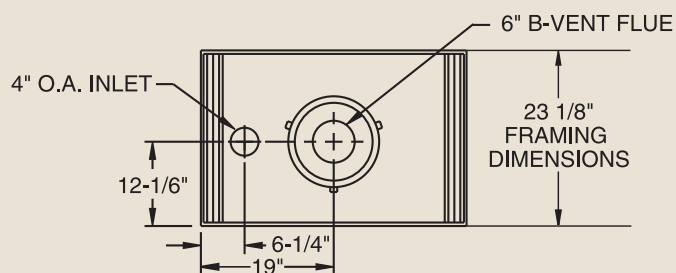
Side opening width: 36"
 Front opening height: 22-1/4"
 Firebox Depth: 22-1/8"

TECHNICAL INFORMATION

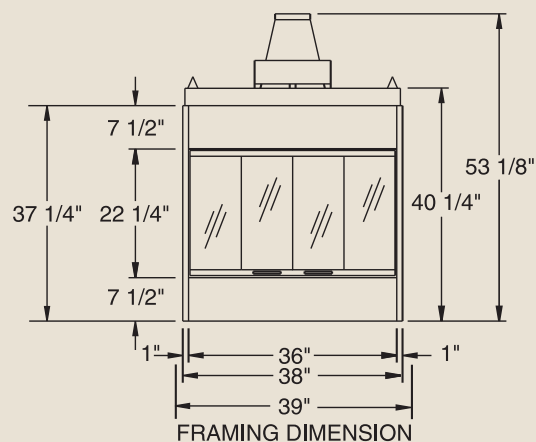
Max. Btu Input: 42,000 BTU/HR
 Ignition System: Standing Pilot or Electronic
 Gas Type: Natural (LP Conversion Kit Available)
 Flue Type: B Vent
 Vent Size: 6" B Vent
 Clearance to Flue: Specified by B Vent Manufacturer
 Clearance to Fireplace: 1/2"
 CSA Design Certified

OPTIONAL ACCESSORIES

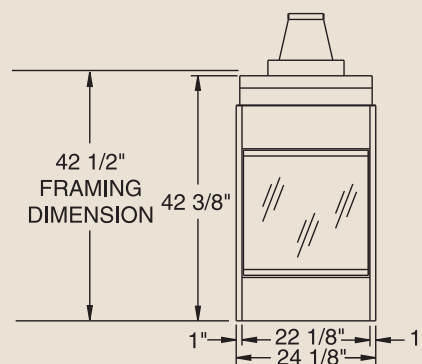
Outside Combustion Air Kit: 6AK
 Ambient Technologies™ Remote Controls and Thermostats
 Firebrick



TOP VIEW



FRONT VIEW



SIDE VIEW

Framing dimensions in illustrations accommodate 1/2" finishing material.



A Brand of Monessen Hearth Systems Co.
 149 Cleveland Drive, Paris, Kentucky 40361

www.monessenhearth.com

