

PRODUCT SPECIFICATIONS BBV400A B Vent



INTERIOR DIMENSIONS

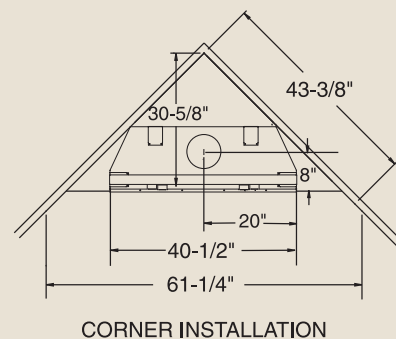
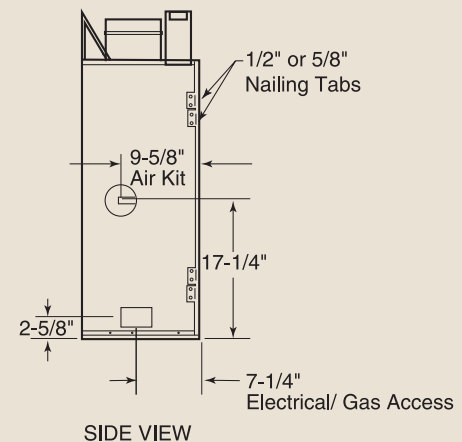
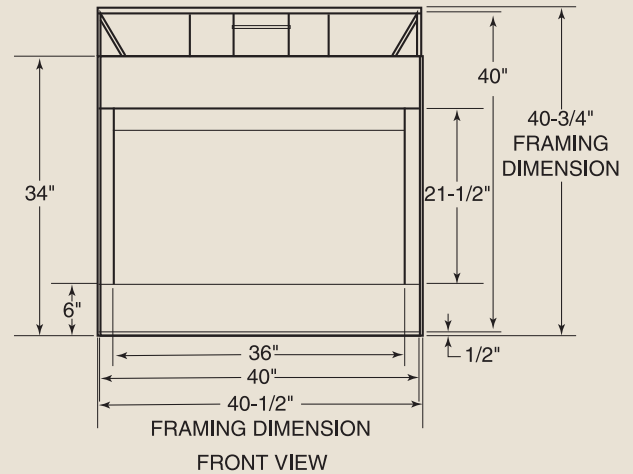
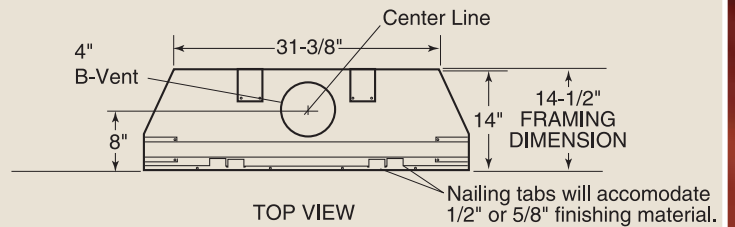
Front opening width: 36"
 Front opening height: 21-1/2"
 Rear Wall Width: 31-3/8"
 Depth: 14"

TECHNICAL INFORMATION

Max. Btu Input: 22,000 BTU/HR
 Ignition System: Standing Pilot or Electronic
 Gas Type: Natural or LP
 Flue Type: B Vent
 Vent Size: 4" B Vent
 Clearance to Flue: Specified by B Vent Manufacturer
 Clearance to Fireplace: 1/2"
 CSA Design Certified

FIELD INSTALLED ACCESSORIES

Bi-fold Glass Doors: GD36PBA (Polished Brass), GD36BA (Black), GD36SSA (Stainless)
 Single Pane Glass Doors: GDS36PBA (Polished Brass) GDS36BA, (Black), GDS36SSA (Stainless)
 Outside Combustion Air Kit: OAC4
 Cottage Clay firebrick
 Ambient Technologies™ Remote Controls and Thermostats



A Brand of Monessen Hearth Systems Co.
 149 Cleveland Drive, Paris, Kentucky 40361

www.monessenhearth.com

