

PRODUCT SPECIFICATIONS
CFX24 Chesapeake Vent Free System



ACTUAL DIMENSIONS

Width: 49-7/8"
 Height: 42"
 Depth: 17"

TECHNICAL INFORMATION

Max. Btu Input: 22,000 BTU/HR
 Ignition System: Standing Pilot
 Gas Type: Natural or LP
 Thermal Efficiency: Up to 99%
 CSA Design Certified

FEATURES

Comes with a unique, fully assembled fireplace package featuring a gas fireplace system, a beautifully crafted wood cabinet (available in Dark Cherry or Classic White), and an elegant designer facing

Glass viewing area of 232 square inches

Features the Triple Play Burner System®: loose embers, glowing logs and yellow flame all in one

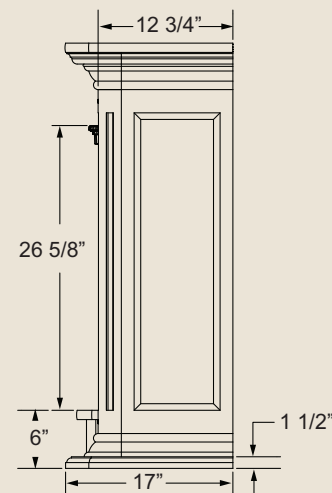
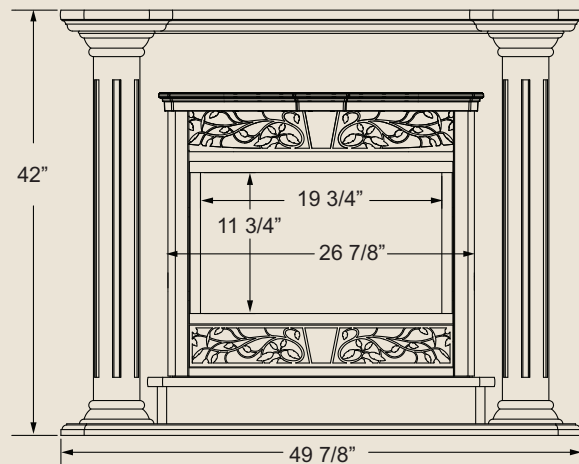
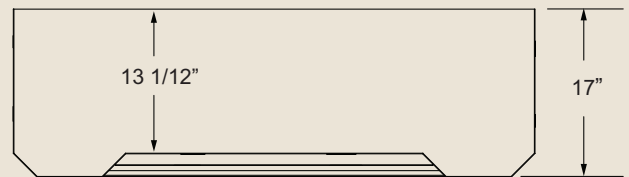
Millivolt control operation

FIELD INSTALLED ACCESSORIES

Cottage Clay firebrick (FBX24CC)

Ambient Technologies® Remote Controls and Thermostats

135 cfm variable thermostat forced air blower available - BLOT24T



A Brand of Monessen Hearth Systems Co.
 149 Cleveland Drive, Paris, Kentucky 40361

www.monessenhearth.com



To avoid personal injury or property damage, the product described by this brochure must be installed, operated and maintained in strict compliance with the instructions packaged with the product and all applicable building or fire codes. Contact local building or fire officials about restrictions and installation inspection requirements. All photographs and drawings on this brochure are for illustrative purposes only and are not intended for, nor should they be used as a substitute for the instructions packaged with the unit. Appearance and specifications of the product are subject to change without notice. © 2009 Monessen Hearth Systems Co.