

PRODUCT SPECIFICATIONS  
**CFX32 Chesapeake Vent Free System**



**ACTUAL DIMENSIONS**

Width: 58"  
 Height: 46"  
 Depth: 18"

**TECHNICAL INFORMATION**

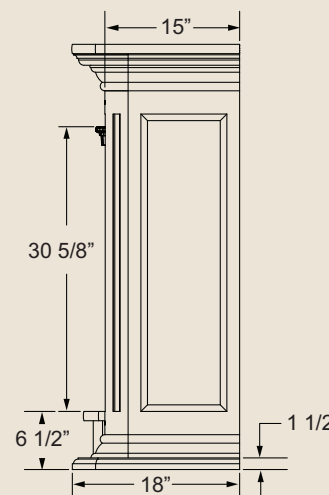
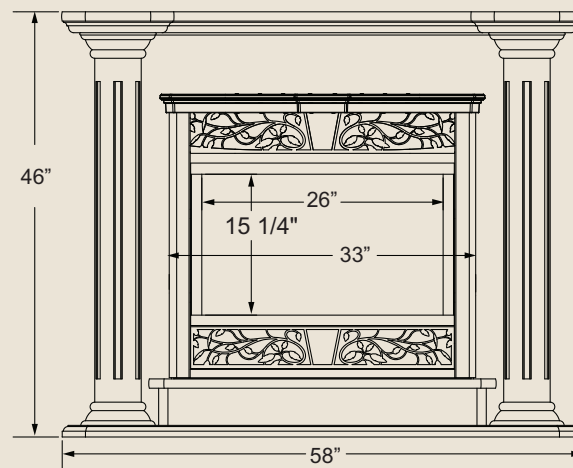
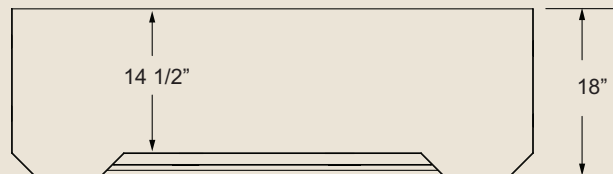
Max. Btu Input: 26,000 BTU/H  
 Ignition System: Standing Pilot  
 Gas Type: Natural or LP  
 Thermal Efficiency: Up to 99%  
 CSA Design Certified

**FEATURES**

Comes with a unique, fully assembled fireplace package featuring a gas fireplace system, a beautifully crafted wood cabinet (available in Dark Cherry or Classic White), and an elegant designer facing  
 Glass viewing area of 397 square inches  
 Features the Triple Play Burner System®: loose embers, glowing logs and yellow flame all in one  
 Millivolt control operation

**FIELD INSTALLED ACCESSORIES**

Cottage Clay firebrick (FBX32CC)  
 Ambient Technologies® Remote Controls and Thermostats  
 160 cfm variable thermostat forced air blower - BLOT



A Brand of Monessen Hearth Systems Co.  
 149 Cleveland Drive, Paris, Kentucky 40361

[www.monessenhearth.com](http://www.monessenhearth.com)



To avoid personal injury or property damage, the product described by this brochure must be installed, operated and maintained in strict compliance with the instructions packaged with the product and all applicable building or fire codes. Contact local building or fire officials about restrictions and installation inspection requirements. All photographs and drawings on this brochure are for illustrative purposes only and are not intended for, nor should they be used as a substitute for the instructions packaged with the unit. Appearance and specifications of the product are subject to change without notice. © 2009 Monessen Hearth Systems Co.