

TWIN EAGLES ACCESS DOORS

MODELS: TEAD18-B TEAD36-B
 TEAD30-B TEAD42-B



INSTALLATION INSTRUCTIONS

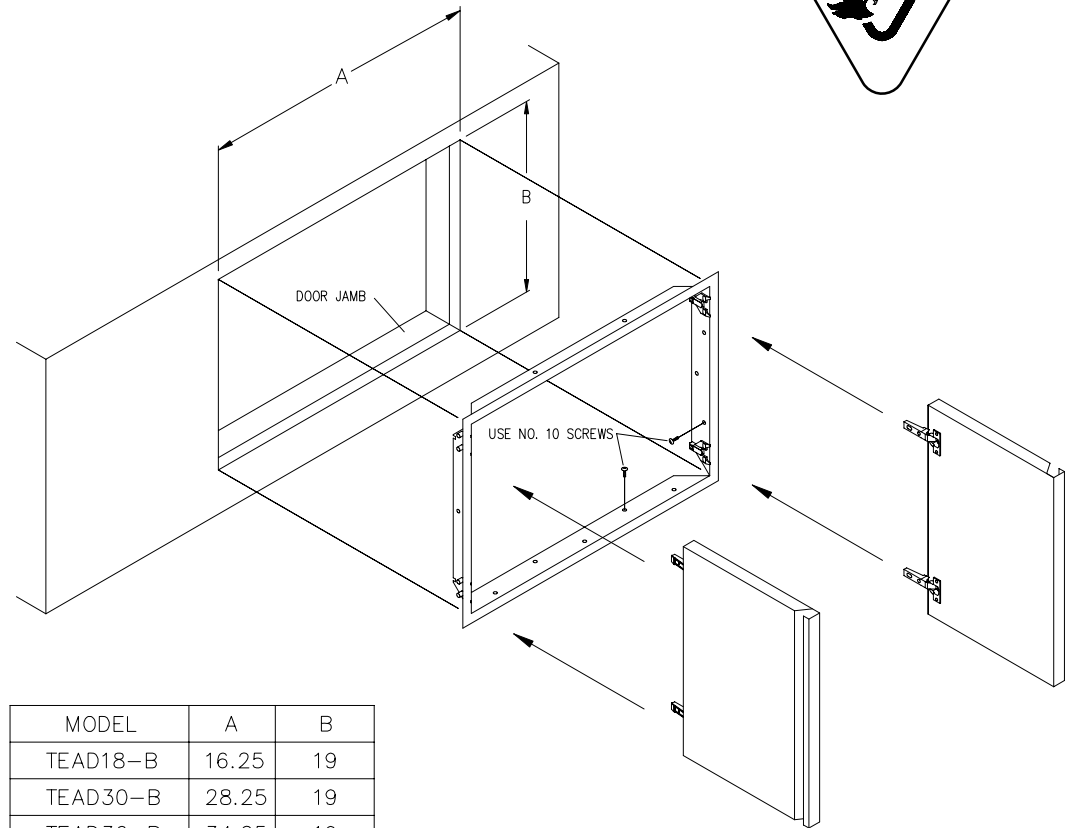
1. PROVIDE CUT OUT AND DOOR JAMB WITH INSIDE DIMENSIONS AS FOLLOWS:
 16 1/4 X 19 FOR TEAD18-B
 28 1/4 X 19 FOR TEAD30-B
 34 1/4 X 19 FOR TEAD36-B
 40 1/4 X 19 FOR TEAD42-B
2. CHECK FITTING OF FRAME AGAINST CUTOUT.
3. SECURE THE STEEL FRAME USING NO. 10 SCREWS
4. ATTACH DOORS TO FRAME (SEE FIG. 1).
5. ADJUST DOOR AS FOLLOWS:

A) FOR HEIGHT ADJUSTMENT, LOOSEN THE TWO SCREWS ATTACHED TO EACH MOUNTING PLATE. ADJUST DOOR AND RETIGHTEN SCREWS (SEE FIGURE A).

B) SNAP OFF HINGE AND SECURE MOUNTING PLATE WITH #6 X 1 FLAT PHILLIPS S/S

C) FOR SIDE ADJUSTMENT, TURN FRONT SCREW ON DOOR HINGE TO MOVE DOOR SIDWAYS (SEE FIGURE C).

D) FOR DEPTH ADJUSTMENT, TURN REAR SCREW ON DOOR HINGE TO MOVE DOOR BACK AND FORTH (SEE FIGURE D).



MODEL	A	B
TEAD18-B	16.25	19
TEAD30-B	28.25	19
TEAD36-B	34.25	19
TEAD42-B	40.25	19

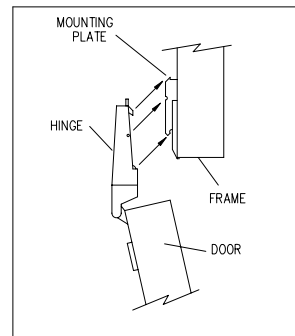


FIG 1

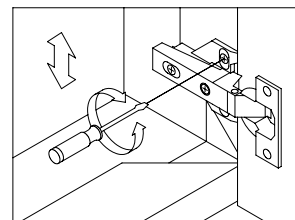


FIG A
HEIGHT ADJUSTMENT

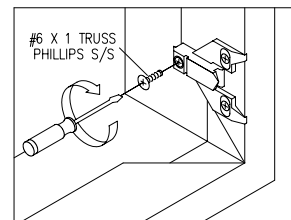


FIG B
SECURE MOUNTING PLATE

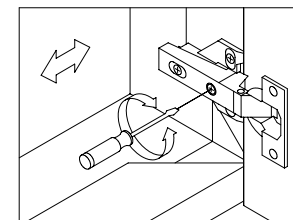


FIG C
SIDE ADJUSTMENT

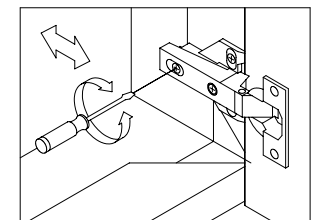


FIG D
DEPTH ADJUSTMENT