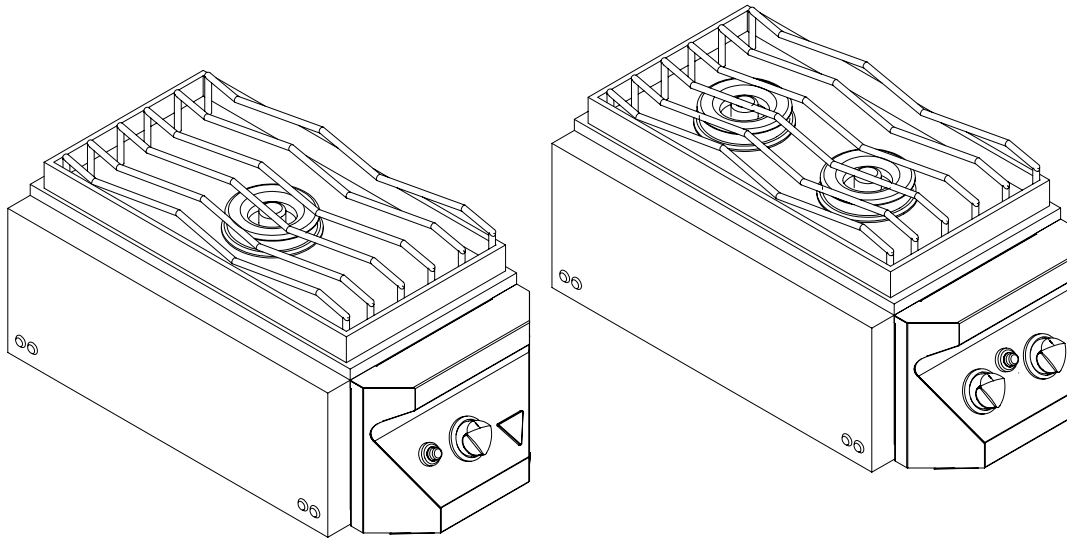




TWIN EAGLES, INC.

*Defining the Art of Outdoor Cooking*

TWIN EAGLES  
FREESTANDING SIDE COOKERS  
USE & CARE MANUAL



Model: TPSC-1F  
TPSC-2F

## FOR YOUR RECORD

**IMPORTANT:** Retain original proof of purchase to establish warranty period.

Please record the following information and refer to this information when contacting the company or an authorized service agent. This information is found on the rating/ data plate located on the inside back of the unit.

Model #: \_\_\_\_\_

Serial #: \_\_\_\_\_

Date of Purchase: \_\_\_\_\_

Place of Purchase: \_\_\_\_\_

Type of Gas:       NG                       LP

## OPERATING INSTRUCTIONS –SIDE COOKER

1. Make sure all knobs are in the “OFF” position.
2. Turn “on” the gas at source. Caution: If you smell gas, shut off gas supply and call for service.
3. Before lighting, remove the side cooker cover or any cooking utensils from the burner grate.
4. Push and turn the burner knob counterclockwise to “HI” (LARGE FLAME) position.
5. Push-in and hold the ignition button. You should hear a continuous clicking sound and see sparks being provided to the burner. (If clicking sound is weak, replace battery).
6. If the burner does not ignite within 5 seconds, turn the burner to “OFF” and wait for five minutes. Repeat the above procedures or try the following manual lighting procedures
  - a. Hold a lit match next to the burner ports
  - b. Push and turn the burner knob counterclockwise to ignite the burner.
7. Adjust flame setting to “LOW” or “MEDIUM” or “HIGH”, if desired.
- 8. Caution: Do not leave the side cooker unattended while cooking.**
9. To shutdown the burner, push and turn the burner knob clockwise to “OFF”.
10. For complete shutdown, turn “off” the gas at source.



## FREESTANDING INSTALLATION INSTRUCTIONS

1. Remove right side shelf.
2. Remove the side shelf brackets on the right side of the grill and install the supplied bracket with the supplied flat head screws. See Fig 1.

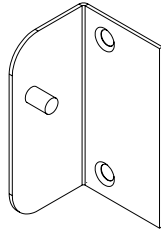
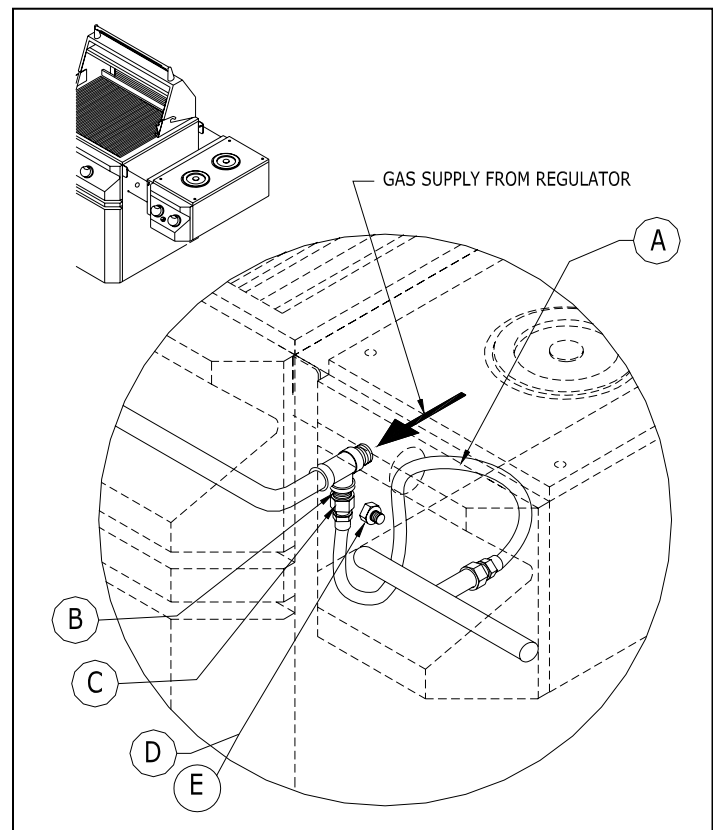


Fig. 1

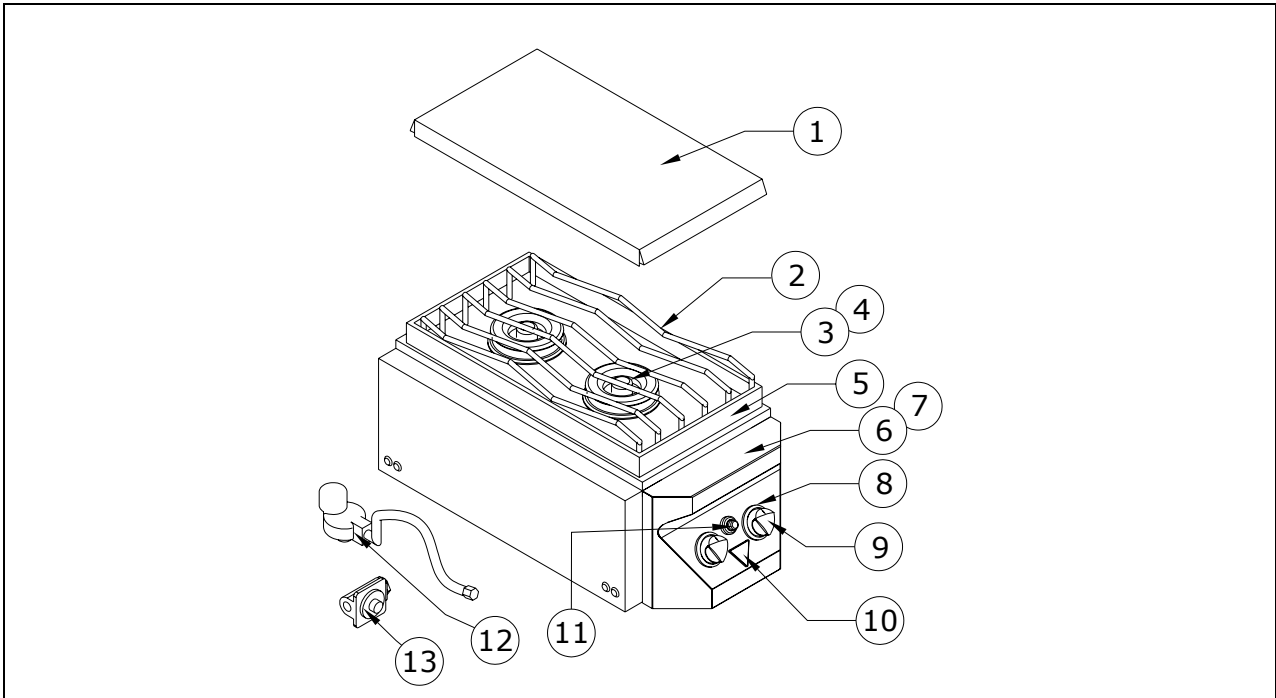
3. For easy access inside the grill, remove the door panel by snapping off the hinges.
4. Hook the side cooker onto the pins on the cabinet. Insert rear pin first, then hook side cooker onto front pin.
5. Secure the side cooker with the 1/4-20 stainless steel nuts and bolts provided (2 places).
6. Hook-up gas connection as shown. Use pipe sealant suitable for use with LP and natural gas. Check leaks using water and soap solution.
7. Reinstall right door panel.

### Components supplied in the package:

- A. 1 pc. s/s flexible tubing
- B. 1 pc. 1/2 close nipple
- C. 1 pc. 1/2 FIP x 3/8 flare coupling
- D. 2 pcs. 1/4-20 s/s bolt
- E. 2 pcs. 1/4-20 s/s nut



## SIDE COOKER PARTS LIST



\*TPSC-2F SHOWN\*

Number	Part Number	Description	TPSC-1F	TPSC-2F
1	20256	Top Cover	1	1
2	13806	S-grates	1	1
3	13305	Burner LP (Complete)	1	2
4	13319	Burner, NG (Complete)	1	2
5	20255	Wind Guard	1	1
6	21650-1Y	Front Panel, 1-Burner	1	
7	21650-2Y	Front Panel, 2-Burner		1
8	13128P	Chrome Knob Bezel	1	2
9	13101	Chrome Knob	1	2
10	13112	Twin Eagles Logo	1	1
11	16157	2-spark Ignition Module	1	1
12	15302	Regulator, LP	1	1
13	15303	Regulator, NG	1	1