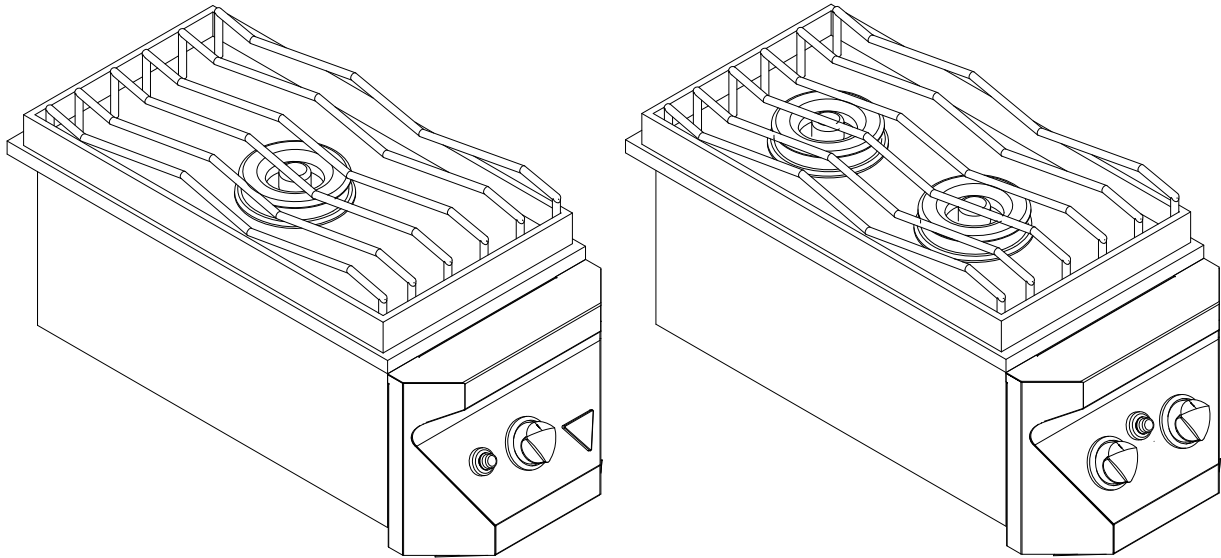




SIDE BURNERS

USE & CARE MANUAL



MODEL: TESB131-B
TESB132-B

FOR YOUR RECORDS

IMPORTANT: Retain original proof of purchase to establish warranty period.

Please record the following information and refer to this information when contacting the company or an authorized service agent. This information is found on the rating/ data plate located on the inside back of the unit.

Model #: _____

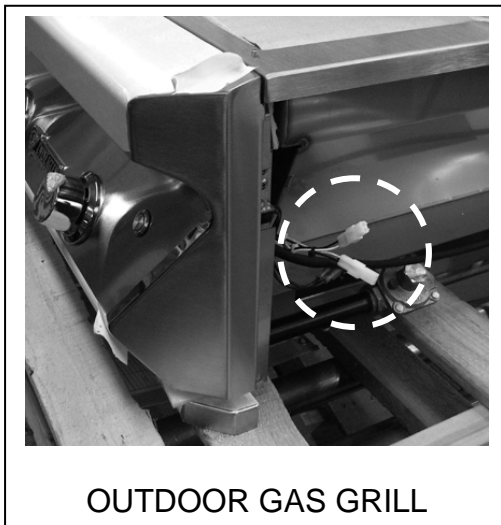
Serial #: _____

Date of Purchase: _____

Place of Purchase: _____

Type of Gas: NG LP

Prior to completing installation to the island, connect the LED light harness to the grill. A wire connector is provided on the grill light harness for side burner application.



IMPORTANT SAFETY INFORMATION

WARNING! Read this manual carefully and completely before using your grill to ensure proper operation, proper installation, proper servicing and to reduce the risk of fire, burn hazard and/ or other injury.

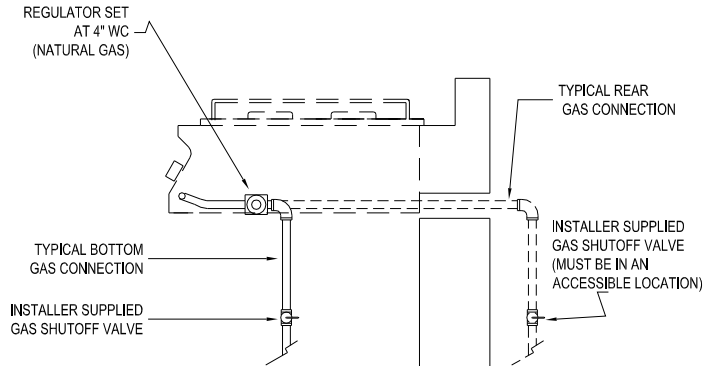
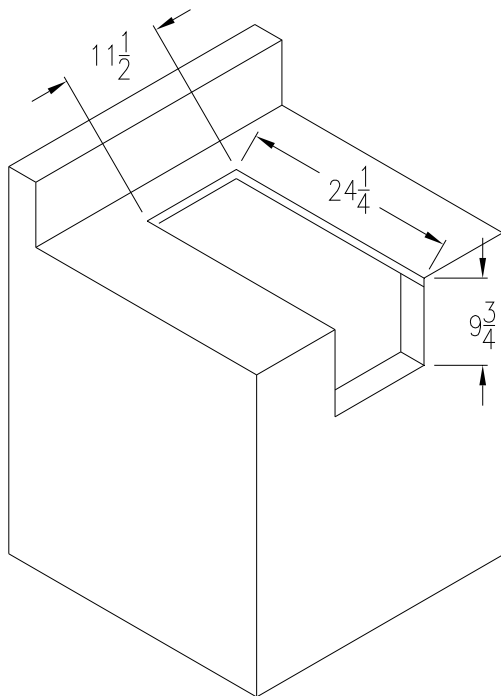
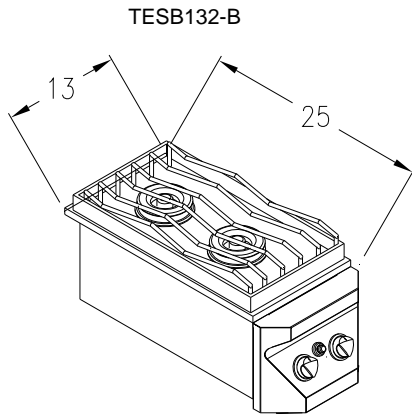
<p style="text-align: center;">FOR YOUR SAFETY</p> <p>If you smell gas:</p> <ol style="list-style-type: none"> 1. Shut off gas to the appliance. 2. Extinguish any open flames. 3. If odor continues, keep away from the appliance and immediately call your gas supplier or fire department. 	<p style="text-align: center;">AVERTISSEMENT</p> <p>S'il y a une odeur de gaz:</p> <ol style="list-style-type: none"> 1. Coupez l'admission de gaz de l'appareil. 2. Éteindre toute flamme nue. 3. Si l'odeur continue, évitez l'appareil et appelez tout de suite votre fournisseur de gaz ou les pompiers.
<p style="text-align: center;">FOR YOUR SAFETY</p> <ol style="list-style-type: none"> 1. Do not store or use gasoline or other flammable vapors and liquids in the vicinity of this or any other appliance. 2. An LP cylinder not connected for use shall not be stored in the vicinity of this or any other appliance. 	<p style="text-align: center;">AVERTISSEMENT</p> <ol style="list-style-type: none"> 1. Ne pas entreposer ni utiliser de l'essence ni d'autres vapeurs ou liquides inflammables dans le voisinage de l'appareil, ni de tout autre appareil. 2. Une bouteille de propane qui n'est pas raccordée en vue de son utilisation, ne doit pas être entreposée dans le voisinage de cet appareil ou de tout autre appareil.
<p style="text-align: center;">THIS IS FOR OUTDOOR USE ONLY: If stored indoors, detach and leave L.P. cylinder outdoors.</p>	<p style="text-align: center;">C'EST POUR UTILISATION à L'ExTÉRIEUR SEULEMENT: Si l'appareil est entreposé à l'intérieur, enlever les bouteilles et les laisser à l'extérieur.</p>
<p style="text-align: center;">BEFORE LIGHTING</p> <ol style="list-style-type: none"> 1. Read instructions before lighting. 2. Open lid during lighting. 3. If ignition does not occur in 5 seconds, turn the burner control(s) off, wait 5 minutes, and repeat the lighting procedure. 	<p style="text-align: center;">AVANT D'ALLUMER L'APPAREIL</p> <ol style="list-style-type: none"> 1. Lisez les instructions avant d'allumer l'appareil. 2. Ouvrez le couvercle avant d'allumer l'appareil. 3. Si l'appareil ne s'allume pas en 5 secondes, fermez le robinet du brûleur, attendez 5 minutes, et procédez de nouveau à l'allumage.

GENERAL SAFETY REQUIREMENTS:

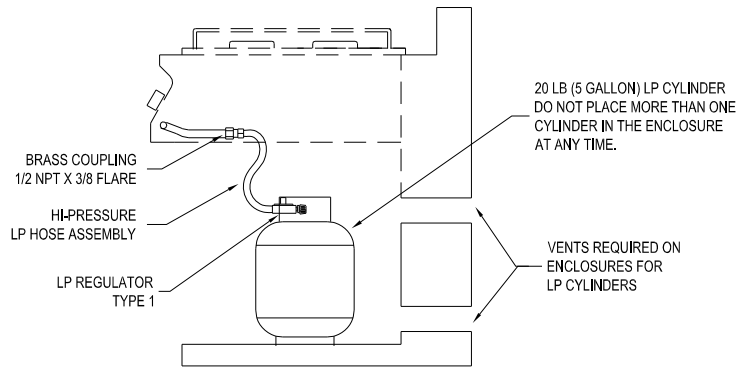
1. The installation of this appliance must conform with local codes or, in the absence of local codes, either the *National Fuel Gas Code, ANZI Z223.1/NFPA 54, or CAN/CGA-B149.1, Natural Gas Installation Code or CAN/CGA-B149.2, Propane Installation Code.*
2. This outdoor cooking gas appliance is not intended to be installed in or on recreational vehicles and /or boats.
3. This outdoor cooking gas appliance is intended for use outdoors and shall not be used in a building, garage or any other enclosed area.
4. **Minimum clearance of 12 inches from the back and sides of the unit to adjacent combustible construction must be maintained. This outdoor cooking gas appliance shall not be located under overhead-unprotected combustible construction.**
5. The utilization of an external electrical source requires that when installed, this outdoor cooking gas appliance must be electrically grounded in accordance with the local codes or, in the absence of local codes, with the National Electrical Code, ANSI/NFPA 70, or the Canadian Electrical Code, CSA C22.1. Keep any electrical supply cord, or the rotisserie motor cord and the fuel supply hose away from any heated surfaces.
6. Keep your side burner in an area clear and free from combustible materials, gasoline and other flammable vapors and liquids.
7. DO NOT obstruct the flow of combustion and ventilation air to this appliance. Keep the ventilation openings of the cylinder enclosure free and clear from debris.
8. Check all gas connections for leaks with soapy water solution and brush. Never use an open flame. (Reference page 5 for leak test procedure).
9. Check flexible hoses for cuts and wear that may affect the safety before each use.
10. Never use the side burner in a windy area.
11. The pressure regulator and hose assembly supplied with the Twin Eagles Side Burner must be used. Replacement pressure regulators and hose assemblies must be those specified by Twin Eagles.
12. CALIFORNIA PROPOSITION 65-WARNING: The burning of gas cooking fuel generates some by-products which are on the list of substances known by the State of California to cause cancer or reproductive harm. California law requires businesses to warn customers of potential exposure to such substances. To minimize exposure to these substances always operate this unit according to the use and care manual, ensuring you provide good ventilation when cooking with gas.

In Massachusetts: All gas products must be installed using a "Massachusetts" licensed plumber or gasfitter. A "T" handle type manual gas valve must be installed in the gas supply line to this appliance. This applies to permanently installed natural gas and propane installations. This does not apply to propane portable installations using a 20 pound tank.

TYPICAL GAS INSTALLATION



TYPICAL NATURAL GAS HOOK UP
(MODEL: TESB131-BN, TESB132-BN)



BOTTLE LP GAS HOOK UP
(MODEL: TESB131-BL, TESB132-BL)

WARNING: DO NOT STORE SPARE GAS CYLINDER IN ANY ENCLOSURE OR ANYWHERE NEAR THE GRILL OR SIDE BURNER. FAILURE TO FOLLOW THIS WARNING COULD LEAD TO FIRE, EXPLOSION, AND SEVERE BODILY HARM.

LEAK TEST

CAUTION BEFORE TESTING

- Finding and/or fixing a gas leak is NOT a “DO-IT-YOURSELF” procedure.
- NEVER USE THE SIDE BURNER WITHOUT FIRST LEAK TESTING THE GAS CONNECTIONS.
- WARNING: DO NOT USE OPEN FLAME TO CHECK FOR LEAKS. USE OF AN OPEN FLAME COULD RESULT IN A FIRE, EXPLOSION AND BODILY HARM.
- DO NOT SMOKE WHILE PERFORMING THE LEAK TEST!
- To prevent fire or explosion hazard, DO NOT use or permit sources of ignition in the area while performing a leak test. Perform leak test outdoors only.
- Check to ensure that flexible hoses do not have any cuts and wear that may affect the safety before each use. Only the factory supplied hose and regulator must be used. Use only replacement regulator and hose assemblies specified by Twin Eagles.

LEAK TEST

- 1) Prepare a leak testing solution of sudsy water by mixing in a spray bottle with half liquid soap and half water.
- 2) Confirm that all control knobs are in the OFF position.
- 3) Turn the main gas valve supply ON.
- 4) Apply leak testing solution by spraying on the pipe joints, fittings, and hose.
- 5) A gas leak is detected if;
 - a) there is a faint gas smell and/or...
 - b) ...growing bubbles appear on any of the connection points and/or hose, DO NOT attempt to ignite the side burner and IMMEDIATELY turn off the gas supply valve.
- 6) When there is a gas leak, call a qualified service technician. DO NOT use the side burner until the leak is corrected.

OPERATING INSTRUCTIONS

1. Make sure all knobs are in the "OFF" position.
2. Turn "on" the gas at source. Caution: If you smell gas, shut off gas supply and call for service.
3. Before lighting, remove the side burner cover or any cooking utensils from the burner grate.
4. Push and turn the burner knob counterclockwise to "HI" (LARGE FLAME) position.
5. Push-in and hold the ignition button. You should hear a continuous clicking sound and see sparks being provided to the burner. (If clicking sound is weak, replace battery).
6. If the burner does not ignite within 5 seconds, turn the burner to "OFF" and wait for five minutes. Repeat the above procedures or try the following manual lighting procedures
 - a. Hold a lit match next to the burner ports
 - b. Push and turn the burner knob counterclockwise to ignite the burner.
7. Adjust flame setting to "LOW" or "MEDIUM" or "HIGH", if desired.
- 8. Caution: Do not leave the side burner unattended while cooking.**
9. To shutdown the burner, push and turn the burner knob clockwise to "OFF".
10. For complete shutdown, turn "off" the gas at source.

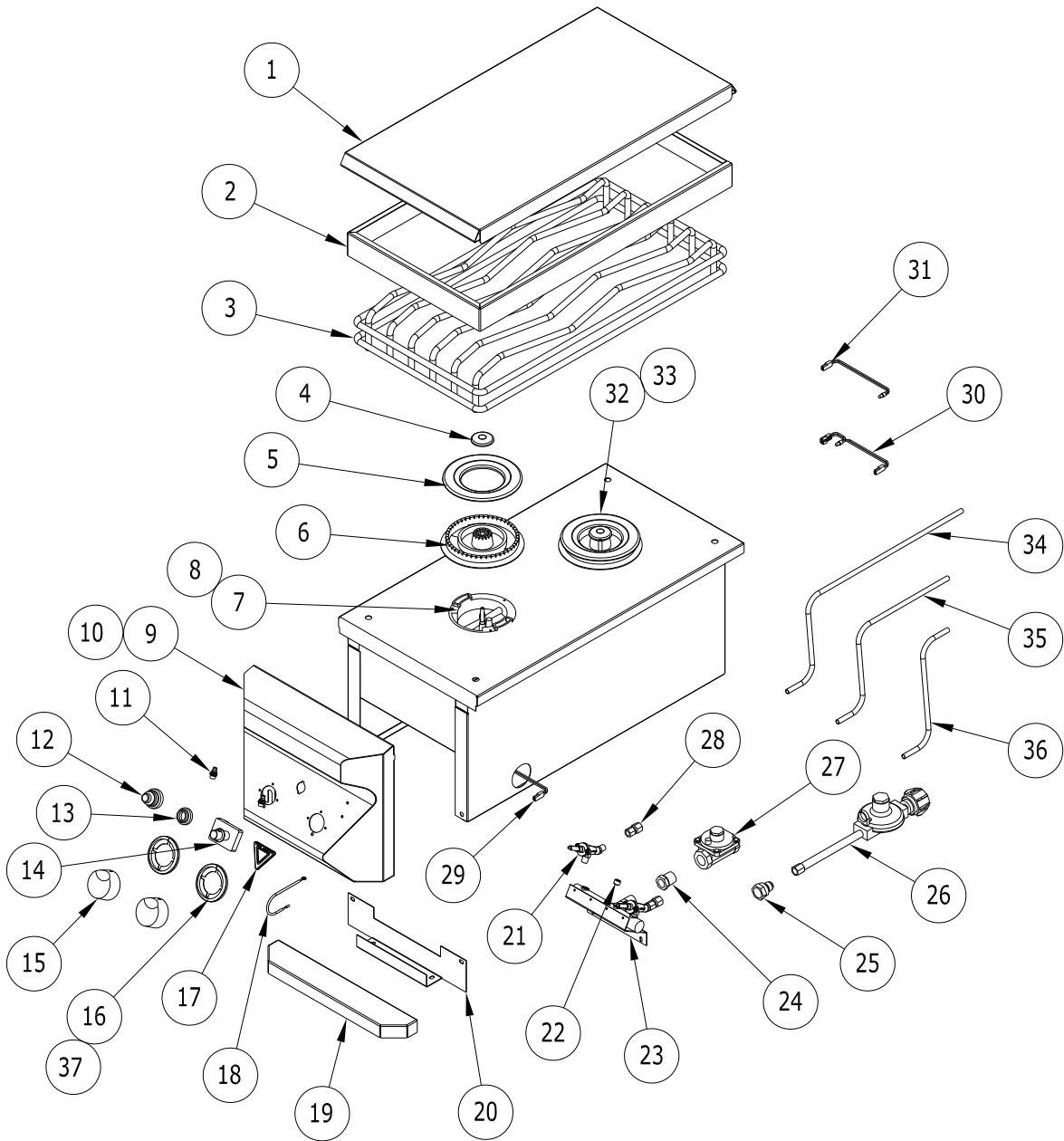
CLEANING & MAINTENANCE

STAINLESS STEEL

The Twin Eagles Side Burner is made of all welded stainless steel. It is non-rusting and non-magnetic. Never clean the stainless steel when it is hot. After the initial use, certain areas of the side burner may discolor. This is a normal discoloration caused by the intense heat given off by the burners. Specks of grease can gather on the surface of the stainless steel and get baked-on. These can be removed by using a mild abrasive pad (like Scotch Brite) with a stainless steel cleaner. Use the mildest cleaner and always scrub in the direction of the grain.

Do not use steel wool to clean the side burner. Do not use abrasives on the polished highlights. Be extra careful when cleaning around the highlights. Metal polisher or mild chrome cleaner can be used to bring back the luster on highlights. To touch-up minor scratches in the stainless steel, sand the affected surface very lightly, with 100-dry grit emery sandpaper in the direction of the grain.

EXPLODED VIEW



TESB132-B SHOWN

SERVICE PARTS LIST

Number	Part Number	Description	TESB131-B	TESB132-B
1	S20256	Top Cover	1	1
2	S20255Y	Wind Guard	1	1
3	S13806	S-grates	1	1
4	S13309	Enameled Cap	1	2
5	S13308	Enameled Ring	1	2
6	S13307	Aluminum Bowl	1	2
7	S13306	Base with Electrode, LP	1	2
8	S13320	Base with Electrode, NG	1	2
9	S21790-1Y	Front Panel, 1-Burner	1	
10	S21790-2Y	Front Panel, 2-Burner		1
11	S16192Y	LED Holder	1	2
12	S16159	Push Button Assembly	1	1
13	S16158	Mounting Ring	1	1
14	S16157	2-spark Ignition Module	1	1
15	S13154	Chrome Knob	1	2
16	S13128P	Chrome Knob Bezel	1	2
17	S13112	Twin Eagles Logo	1	1
18	S16108	Ground Wire		
19	S21792	Drip Pan Handle	1	1
20	S21791	Drip Pan Handle Bracket	1	1
21	S15101	Gas Valve	1	2
22	S12606	1/8 Pipe Plug	2	1
23	S12703	Side Burner Manifold	1	1
24	S12610	Brass Bushing Reducer	1	1
25	S12602	Brass Coupling, 3/8 Flare x 1/2 FIP	1	1
26	S15302	Regulator, LP	1	1
27	S15303	Regulator, NG	1	1
28	S12609	Nut and Sleeve, 1/8 FIP x 5/16 CC	1	2
29	S16260	72" extension, built-in	1	1
30	S16257	Wire harness, blue LED, middle		1
31	S16256	Wire harness, blue LED, end	1	1
32	S13305	Burner LP (Complete)	1	2
33	S13319	Burner, NG (Complete)	1	2
34	S12414	Rear Gas Tubing		1
35	S12415	Single Burner Gas Tubing	1	
36	S12413	Front Gas Tubing		1
37	S14121	Bezel Screws	2	4
NON-SHOWN PARTS				
	S13313	Center Orifice,# 82, NG	1	2
	S13314	Outside Orifice, #175, NG	1	2
	S13317	Center Orifice, #50, LP	1	2
	S13318	Outside Orifice, #100, LP	1	2



TWIN EAGLES WARRANTY

ONE-YEAR FULL WARRANTY: Twin Eagles warrants the outdoor **Side Burners** and all of their component parts, to be free from defects in materials and workmanship under normal residential use for a period of one year from the original date of purchase. Twin Eagles will repair or replace, at its option, any part, which fail or is found to be defective during the warranty period, at no cost to the original purchaser. Warranty service must be performed by a Twin Eagles authorized representative during normal business hours.

WARRANTY LIMITATIONS & EXCLUSIONS

This warranty shall apply only to the products purchased and located in the continental United States and Canada. The warranty coverage begins on the original date of purchase and proof of date of purchase is required. In order to activate the warranty, we require that you send in the attached warranty registration card or register on-line at our website, www.twineaglesbbq.com. This warranty applies only to the original owner and may not be transferred.

This warranty does not apply to damages resulting from negligence, alteration, misuse, abuse, accident, natural disaster, loss of electrical power to the product for any reason, improper installation or improper operation, unauthorized adjustments or calibrations, dings, dents, scratches, or damages due to harsh cleaning chemicals. This warranty does not apply to rust, corrosion, discoloration, surface scratches, weather and atmospheric related staining and oxidation which are normal conditions and to be expected with any outdoor products unless the affected component becomes inoperable. This warranty does not apply to commercial use, or to products with altered or removed serial numbers. Twin Eagles shall not be liable for incidental, consequential, special or contingent damages resulting from its breach of this written warranty or any implied warranty.

WARRANTY SERVICE & REPLACEMENT PARTS: Call your authorized selling dealer or call Twin Eagles directly at **800-789-2206**. Be prepared to furnish the following information: Purchaser's name, model and serial number of the appliance, date of purchase and the accurate description of the problem. Twin Eagles will not pay for service calls for correcting an installation problem. Owner shall be responsible for proper installation, providing normal care and maintenance, providing proof of purchase upon request and making the appliance accessible for service. In the event of any warranty replacement, all removal, replacement, installation and shipping costs are the responsibility of the grill owner.

Some states do not allow limitations on how long an implied warranty lasts, or the exclusions of or limitations on consequential damages. This warranty gives you specific legal rights and you may have other rights, which vary from state to state