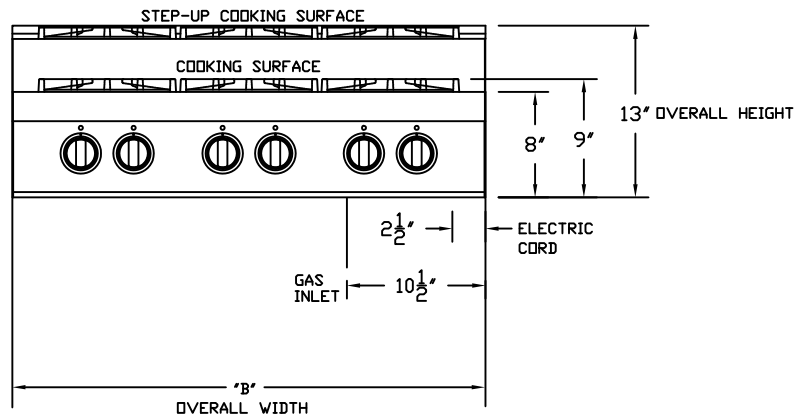


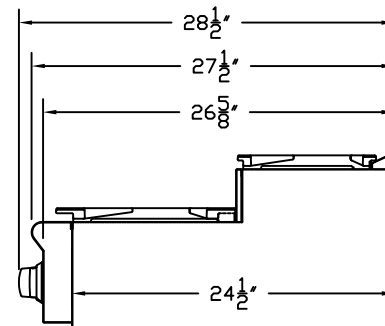
OVERALL DIMENSIONS

SLIDE-IN STEP UP RANGETOPS

SIZE	'A'	'B'
24 IN.	24"	23.875"
30 IN.	30"	29.875"
36 IN.	36"	35.875"
48 IN.	48"	47.875"
60 IN.	60"	59.875"

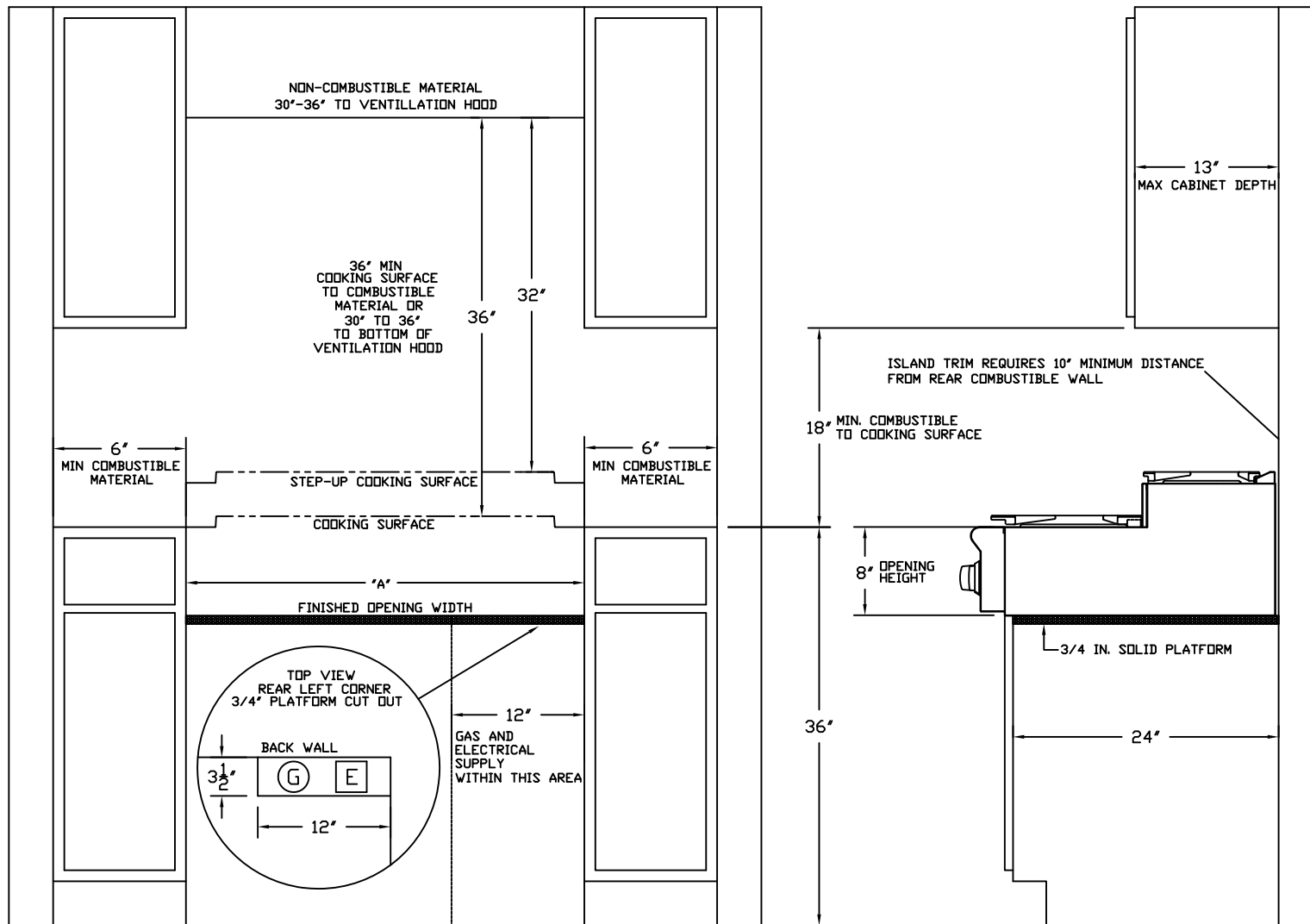


OVERALL DEPTH



INSTALLATION SPECIFICATIONS

SLIDE-IN STEP UP RANGE TOPS



G E LOCATION OF GAS AND ELECTRICAL SUPPLY

ELECTRIC OUTLET - STANDARD 3 PRONG 120 V
 ALLOW FOR A SHUT OFF VALVE AT GAS OUTLET
 ISLAND OR PENINSULA INSTALLATIONS REQUIRES A 10" MINIMUM CLEARANCE FROM BACK OF RANGE TO A COMBUSTIBLE SURFACE
 ISLAND TRIM 0 IN. CLEARANCE TO NON COMBUSTIBLE SURFACE
 NO SIDE WALL ABOVE COOKING SURFACE
 ALLOW FOR A SHUT OFF VALVE AT GAS OUTLET