



24, 30, and 36 SERIES OUTDOOR GAS BARBECUES SLIDE-IN MODEL

INSTALLATION AND OPERATING INSTRUCTIONS



SAFETY WARNINGS & CODES

Important: Read these instructions carefully before starting installation.

INSTALLER: Leave these instructions with consumer.
CONSUMER: Retain for future reference.

CODE AND SUPPLY REQUIREMENTS: This barbecue must be installed in accordance with local codes and ordinances, or, in the absence of local codes, with either the latest *National Fuel Gas Code* (ANSI Z223.1/NFPA 54), and *Natural Gas and Propane Installation Code* (CSA-B149.1).

This appliance and its individual shutoff valves must be disconnected from the gas supply piping system when testing the system at pressures in excess of 1/2 psig (3.5 kPa).

This appliance must be isolated from the gas supply piping system by closing its individual manual shutoff valves during any pressure testing of the gas supply system at pressures up to and including 1/2 psig (3.5 kPa).

All electrical outlets in the vicinity of the barbecue must be properly grounded in accordance with local codes or, in the absence of local codes, with the *National Electrical Code, ANSI/NFPA 70, or the Canadian Electrical Code, CSA C22.1*, whichever is applicable.

Keep all electrical supply cords and fuel supply hoses away from any heated surface.

⚠ WARNING

1. Do not store or use gasoline or other flammable vapors and liquids in the vicinity of this or any other appliance.
2. A propane cylinder not connected for use shall not be stored in the vicinity of this or any other appliance.

⚠ WARNING

Improper installation, adjustment, alteration, service, or maintenance can cause injury or property damage. Refer to this manual. For assistance or additional information, consult a qualified professional installer, service agency, or the gas supplier.

⚠ DANGER

IF YOU SMELL GAS:

1. Shut off the gas to the appliance.
2. Extinguish any open flame.
3. Open lid if equipped with an oven.
4. If odor continues, keep away from the appliance, and immediately call the gas supplier or fire department.

Certified to ANSI: Z21.58-2007

CSA: 1.6-2007





24, 30 et 36 SÉRIES LE GAZ EXTÉRIEUR GRILLE TOUT ENTIER LE MODÈLE DE SLIDE-IN

INSTALLATION ET CONSIGNES D'UTILISATION



CONDITIONS DE CODE ET D'APPROVISIONNEMENT:

Ce barbecue doit être installé selon des codes et des ordonnances locaux, ou, en l'absence des codes locaux, avec l'un ou l'autre le plus défunt code national de gaz de carburant (norme ANSI Z223.1/NFPA 54), et le code d'installation de gaz naturel et de propane (CSA-B149.1).

Cet appareil et ses différents robinets d'isolement doivent être démontés du système sifflant d'offre de gaz en examinant le système aux pressions au-dessus du ½ psig (kPa 3.5).

Cet appareil doit être isolé dans le système sifflant d'offre de gaz par fermeture ses différents robinets d'isolement manuels pendant tous les essais sous pression du circuit d'alimentation de gaz aux pressions jusques et y compris le ½ psig (kPa 3.5).

Toutes les sorties électriques à proximité du barbecue doivent être correctement fondues selon des codes locaux ou, en l'absence des codes locaux, avec le *code électrique national, ANSI/NFPA 70, ou le code électrique canadien, CSA C22.1*, qui est jamais applicable.

Gardez tout cordon d'alimentation électrique et tuyau d'alimentation en combustible à l'écart des surfaces chauffées.



AVERTISSEMENTS ET CODES DE SÛRETÉ

Important: Lisez ces instructions soigneusement avant de commencer l'installation.

INSTALLATEUR: Laissez ces instructions avec le consommateur.

CONSOMMATEUR: Maintenez pour la future référence.

⚠ AVERTISSEMENT

1. Ne pas entreposer ni utiliser de l'essence ni d'autres vapeurs ou liquides inflammables dans le voisinage de l'appareil, ni de proximité de tout autre appareil.
2. Une bouteille de propane qui n'est pas raccordée en vue de son utilisation, ne doit pas être entreposée dans le voisinage de cet appareil ou de tout autre appareil.

⚠ AVERTISSEMENT

L'installation inexacte, l'ajustement, le changement, le service ou l'entretien peuvent causer des dommages ou des dégâts matériels. Référez-vous à ce manuel. Pour l'aide ou l'information additionnelle consultez un installateur qualifié et professionnel, l'agence de service, ou le fournisseur de gaz.

⚠ DANGER

S'il y a une odeur de gaz:

1. Coupez l'admission de gaz de l'appareil.
2. Éteindre toute flamme nue.
3. Ouvrir le couvercle.
4. Si l'odeur persiste, gardez loin de l'appareil, et appelez immédiatement le fournisseur de gaz ou le service d'incendie.

Certifié à la norme ANSI : Z21.58-2007

CSA : 1.6-2007



09-06

TABLE OF CONTENTS

| | |
|---|----|
| SAFETY WARNINGS & CODES | 1 |
| PRODUCT DATA TABLE | 3 |
| PARTS LIST | 5 |
| ROTISSERIE PARTS LIST | 7 |
| PLANNING THE LOCATION OF THE BARBECUE | 8 |
| ENSURING PROPER COMBUSTION AIR AND COOLING AIR FLOW | 8 |
| ELECTRICAL OUTLETS | 8 |
| EXHAUST REMOVAL | 8 |
| INSTALLATION | 8 |
| SAFE USE & MAINTENANCE OF PROPANE-GAS CYLINDERS | 9 |
| CHECKING AND CONVERTING GAS TYPE | 11 |
| INSTALLING THE REGULATOR | 11 |
| CHECKING AND CONVERTING THE REGULATOR | 11 |
| CHECKING/CONVERTING THE BURNER ORIFICES | 12 |
| MAIN BURNER ORIFICE SIZE CHECKING/CONVERSION | 12 |
| MAIN BURNER AIR SHUTTER ADJUSTMENT | 12 |
| BACKBURNER ORIFICE SIZE CHECKING/CONVERSION (IF EQUIPPED) | 13 |
| BARBECUE SAFETY INFORMATION & MAINTENANCE | 15 |
| DRIP COLLECTION SYSTEM | 15 |
| LIGHTING (IGNITION) INSTRUCTIONS | 17 |
| ROTISSERIE INSTRUCTIONS | 18 |
| REPLACING THE IGNITOR BATTERY | 19 |
| TROUBLESHOOTING | 19 |
| ACCESSORIES | 20 |
| THE FLAVOR GRID(S) | 20 |
| THE DRIP TRAY | 20 |
| THE WARMING RACK | 20 |
| CARE & CLEANING | 21 |
| COVER | 21 |
| AMERICAN OUTDOOR GRILL LIMITED WARRANTY | 22 |

PRODUCT DATA TABLE

| Specification | Value |
|-------------------------|--------------------------|
| Main Burner | 24" model |
| Counter opening height* | 8 1/2" (21 cm) |
| Counter opening width* | 24 1/2" (35.8 cm) |
| Counter opening depth* | 19 1/2" (15.2 cm) |
| BTU per burner | 16,000 (4.7 kw) |
| Natural gas orifice | #46 (2.057 mm) |
| Propane gas orifice | #1.20 (1.20 mm) |

| Specification | Value |
|-------------------------|--------------------------|
| Main Burner | 30" model |
| Counter opening height* | 8 1/2" (21 cm) |
| Counter opening width* | 30 5/8" (35.8 cm) |
| Counter opening depth* | 19 1/2" (15.2 cm) |
| BTU per burner | 16,000 (4.7 kw) |
| Natural gas orifice | #46 (2.057 mm) |
| Propane gas orifice | #1.20 (1.20 mm) |

| Specification | Value |
|-------------------------|--------------------------|
| Main Burner | 36" model |
| Counter opening height* | 8 1/2" (21 cm) |
| Counter opening width* | 36 7/8" (35.8 cm) |
| Counter opening depth* | 19 1/2" (15.2 cm) |
| BTU per burner | 16,000 (4.7 kw) |
| Natural gas orifice | #46 (2.057 mm) |
| Propane gas orifice | #1.20 (1.20 mm) |

***Note:** If using an insulating liner, consult the liner instructions for counter cut-out dimensions.

| Specification | Value |
|---------------------------------|------------------------|
| Backburner (if equipped) | |
| BTU per burner | 10,000 (2.9 kw) |
| Natural gas orifice | #54 (1.397 mm) |
| Propane gas orifice | #65 (0.889 mm) |

Table 1 - Product data table

Avertissements généraux :

- Ce barbecue est pour utilisation à l'extérieur seulement. Si l'appareil est entreposé à l'intérieur, enlever les bouteilles et les laisser à l'extérieur.
- Ne pas ranger le gril immédiatement après l'avoir utilisé. le laisser refroidir avant de le déplacer ou de la ranger. Le non respect de cette mesure de sécurité pourrait entraîner un incendie causant des dommages à la propriété, des blessures ou la mort.
- Ne pas utiliser cet appareil sous une surface combustible.
- Ne pas utiliser cet appareil sous un auvent. Le non respect de cette mesure de sécurité pourrait entraîner un incendie ou des blessures.
- Dégagement minimal entre les parois latérales et l'arrière de l'appareil et la construction combustible (45.7 cm à partir des parois latérales et 45.7cm à partir de l'arrière).
- Le régulateur de pression de gaz prévu avec cet appareil de cuisson à gaz pour l'extérieur doit être utilisé. Ce régulateur est réglé pour une pression de sortie de 5 pouces de colonne de l'eau pour le gaz naturel, et 10 pouces pour le propane.
- LE RÉGULATEUR INCLUS D'APPAREILS EST ÉVALUÉ POUR LE MAXIMUM DE 1/2 (LIVRES PAR POUCE CARRÉ). SI VOTRE OFFRE DE GAZ EST 1/2 PLUS GRAND QUE (LIVRES PAR POUCE CARRÉ), UN RÉGULATEUR ADDITIONNEL DOIT ÊTRE INSTALLÉ AVANT LE BARBECUE. VOIR LA SECTION DE CONDITIONS D'OFFRE DE GAZ POUR LA PRESSION APPROPRIÉE D'OFFRE DE GAZ.
- Ne couvrez jamais la surface entière de cuisine ou de gril de gauffreuses ou de casseroles. La surchauffe se produira et les brûleurs ne seront pas très performants quand la chaleur de combustion est emprisonnée au-dessous de la surface à cuire.
- Ne pulvérisez jamais l'eau sur une unité chaude de gaz, comme ceci peut endommager des composants de porcelaine ou de fer de fonte.

Avertissements de propane :

- Une fuite de GPL peut causer un incendie ou une explosion si enflammée entraînant des blessures corporelles graves ou la mort.
- Communiquez avec le fournisseur de GPL pour les réparations ou pour disposer de la bouteille ou du GPL non utilisé.

PARTS LIST

| Item | Part # | Description |
|------|---------|-------------------------------|
| 1. | 24-B-11 | Cooking grids 24" (Set of 2) |
| 2. | 24-B-05 | Flavor grids 24" (2) |
| 3. | 24-B-06 | Main burner (2) |
| 4. | 24-B-10 | Thermometer |
| 5. | 24-B-25 | Oven 24" |
| 6. | 24-B-02 | Warming rack 24" * |
| 7. | 3083 | Drip tray with match holder |
| 8. | 24-B-26 | Barbecue face 24" |
| 9. | 3199-34 | Electronic ignitor |
| 10. | 24-B-08 | Burner manifold 24" |
| 11. | 24-B-15 | Heat shield 24" (1) |
| 12. | 24-B-04 | Main burner electrode 24" (2) |
| 13. | 3015 | Barbecue knobs 24" (2) |
| 14. | 3016 | Backburner knob * |
| 15. | 24-B-17 | Backburner * |
| 16. | PR-4 | Regulator |

IMPORTANT

This AOG oven and backburner (if equipped) are fully pre-assembled and tested at the factory.

DO NOT attempt to remove the oven and backburner from the barbecue prior to or during installation or damage to the connecting gas line and ignitor wiring may occur.

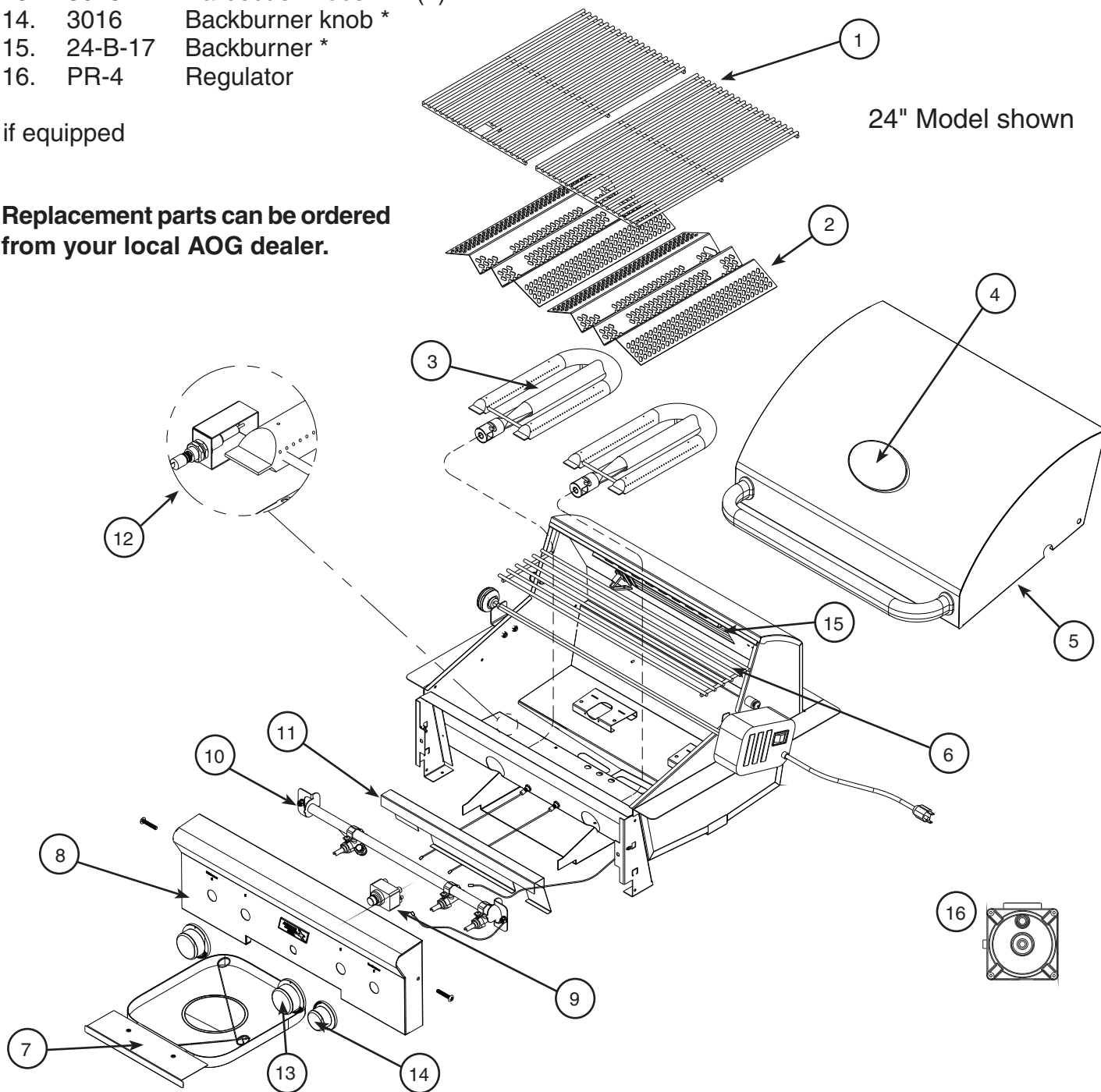
The plastic straps that secure the oven to the barbecue unit must be removed and discarded prior to lighting the barbecue.

This note applies for all 3 size (24", 30", 36") models.

* if equipped

Replacement parts can be ordered from your local AOG dealer.

24" Model shown

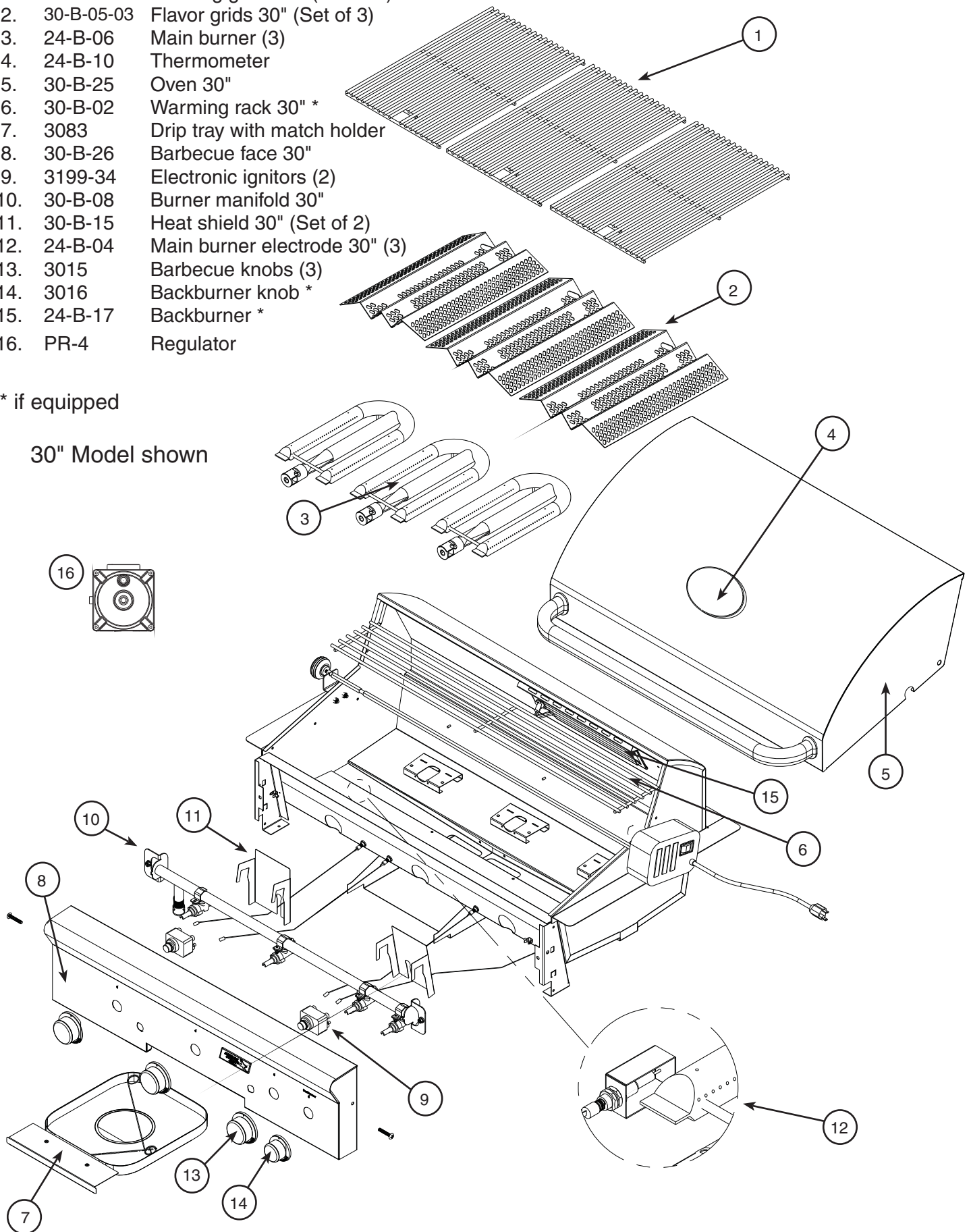


PARTS LIST (Cont.)

| Item | Part # | Description |
|------|------------|-------------------------------|
| 1. | 30-B-11 | Cooking grids 30" (Set of 3) |
| 2. | 30-B-05-03 | Flavor grids 30" (Set of 3) |
| 3. | 24-B-06 | Main burner (3) |
| 4. | 24-B-10 | Thermometer |
| 5. | 30-B-25 | Oven 30" |
| 6. | 30-B-02 | Warming rack 30" * |
| 7. | 3083 | Drip tray with match holder |
| 8. | 30-B-26 | Barbecue face 30" |
| 9. | 3199-34 | Electronic ignitors (2) |
| 10. | 30-B-08 | Burner manifold 30" |
| 11. | 30-B-15 | Heat shield 30" (Set of 2) |
| 12. | 24-B-04 | Main burner electrode 30" (3) |
| 13. | 3015 | Barbecue knobs (3) |
| 14. | 3016 | Backburner knob * |
| 15. | 24-B-17 | Backburner * |
| 16. | PR-4 | Regulator |

* if equipped

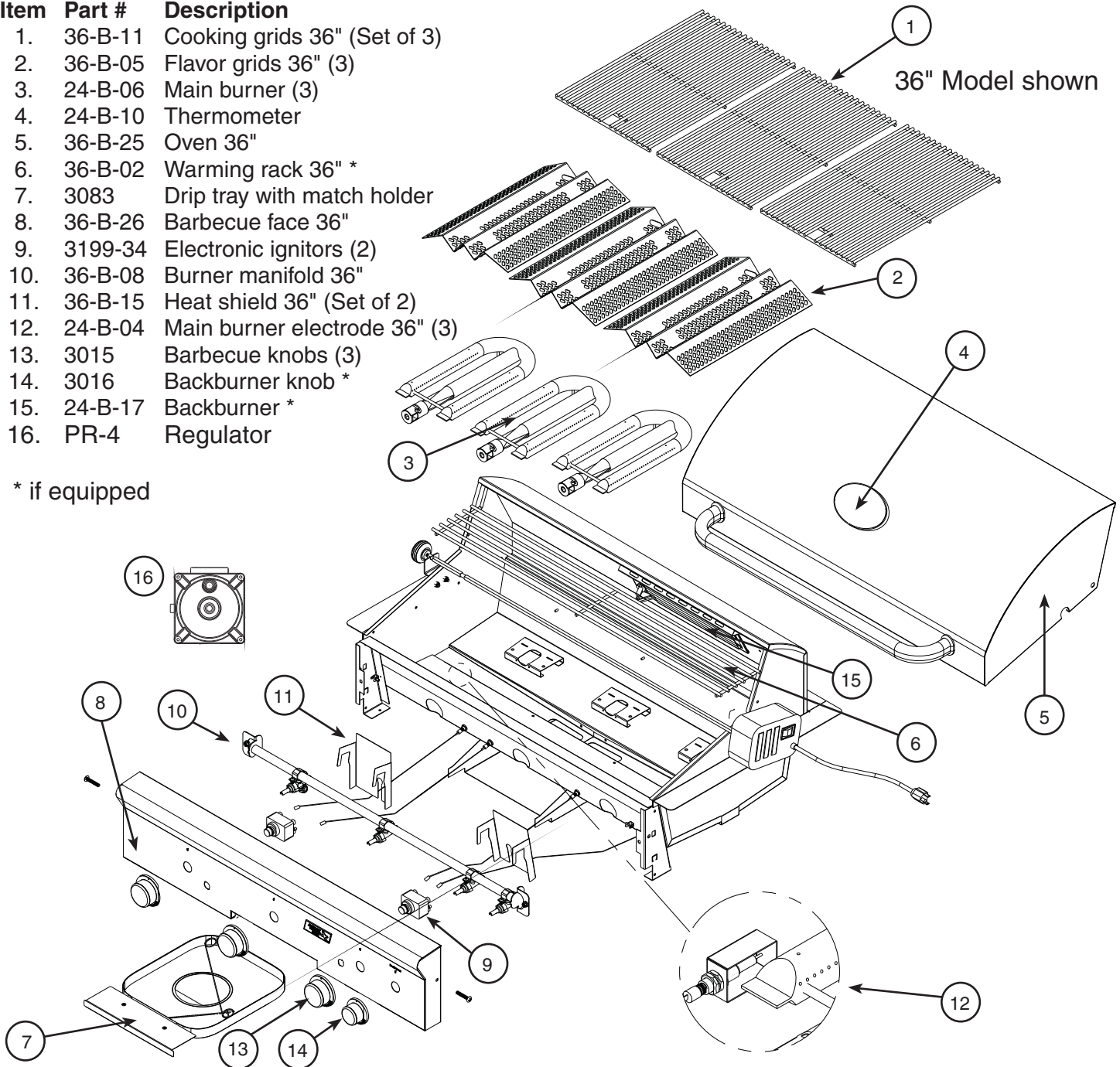
30" Model shown



PARTS LIST (Cont.)

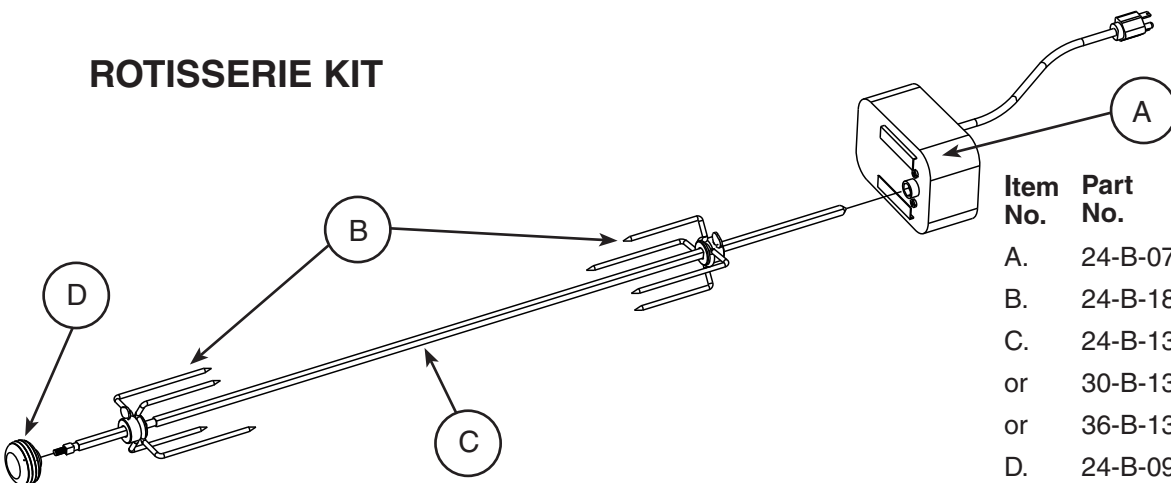
| Item | Part # | Description |
|------|---------|-------------------------------|
| 1. | 36-B-11 | Cooking grids 36" (Set of 3) |
| 2. | 36-B-05 | Flavor grids 36" (3) |
| 3. | 24-B-06 | Main burner (3) |
| 4. | 24-B-10 | Thermometer |
| 5. | 36-B-25 | Oven 36" |
| 6. | 36-B-02 | Warming rack 36" * |
| 7. | 3083 | Drip tray with match holder |
| 8. | 36-B-26 | Barbecue face 36" |
| 9. | 3199-34 | Electronic ignitors (2) |
| 10. | 36-B-08 | Burner manifold 36" |
| 11. | 36-B-15 | Heat shield 36" (Set of 2) |
| 12. | 24-B-04 | Main burner electrode 36" (3) |
| 13. | 3015 | Barbecue knobs (3) |
| 14. | 3016 | Backburner knob * |
| 15. | 24-B-17 | Backburner * |
| 16. | PR-4 | Regulator |

* if equipped



ROTISSERIE PARTS LIST (IF EQUIPPED)

ROTISSERIE KIT



| Item No. | Part No. | Description |
|----------|----------|----------------------------------|
| A. | 24-B-07 | Stainless steel motor |
| B. | 24-B-18 | Spit prongs (set of 2) |
| C. | 24-B-13 | Spit rod $\frac{5}{8}$ " hex 24" |
| or | 30-B-13 | Spit rod $\frac{5}{8}$ " hex 30" |
| or | 36-B-13 | Spit rod $\frac{5}{8}$ " hex 36" |
| D. | 24-B-09 | Handle knob |

PLANNING THE LOCATION OF THE BARBECUE

This barbecue is designed for outdoor use only. DO NOT use this unit under unprotected flammable surfaces. DO NOT use this appliance inside a building, garage, or any other unprotected covered area (see EXHAUST REMOVAL below). DO NOT use this barbecue in or on a recreational vehicle or boat.

Important: This unit is NOT insulated, and therefore if an approved insulating liner is not added, the unit must be located with a minimum of 18" (45.7 cm) of side and back clearance from unprotected combustible materials such as wood, plastic, or stucco with wood framing, when in operation.

ENSURING PROPER COMBUSTION AIR AND COOLING AIR FLOW

You must maintain proper air flow for the barbecue to perform as it was designed (Fig. 8-1). If airflow is blocked, overheating and poor combustion will result. Do not block the 1" front air inlet along the bottom of the face or more than 75% of the cooking grid surface with objects such as pans or griddles.

Note: The 1" front air space allows access to the drip tray.



ELECTRICAL OUTLETS

All electrical outlets in the vicinity of the barbecue must be properly grounded.

Note: Keep electrical supply cords away from all heated surfaces.

EXHAUST REMOVAL

If installed or used under a patio roof, the cooking grid area must be fully covered by a chimney and exhaust hood. An exhaust fan with a rating of 1,000 CFM (cubic feet per minute) or more may be necessary to efficiently remove

smoke and other cooking by-products from the covered area. This barbecue shall not be used under unprotected overhead combustible construction. **THIS UNIT SHOULD NOT BE LOCATED IN A FULLY ENCLOSED AREA OF ANY KIND.**

CAUTION: Wind blowing into or across the rear oven lid vent (Fig. 8-2) can cause poor performance and/or dangerous overheating. Orient the grill so that the prevailing wind blows toward the front of the grill (Fig. 8-3).

CAUTION: To prevent dangerous overheating, the rear of the unit must have a minimum clearance of 4" from any backsplash/wall.



INSTALLATION

GAS-SUPPLY PLUMBING REQUIREMENTS

For natural gas or a household propane system, rigid 1/2" (1.3 cm) or 3/4" (1.9 cm) black steel pipe or local code-approved pipe is required to conduct the gas supply to the unit. An outdoor-approved flexible connector can be used to connect the household gas supply to the barbecue. **DO NOT use a rubber hose within the barbecue enclosure.** Apply only joint compounds that are resistant to all gasses on all male pipe fittings. Make sure to tighten every joint securely.

Note: If 1/2" (1.3 cm) pipe is used with **natural gas**, it should be no longer than 20' (6.1 meters).

Important: An external valve (with a removable key) in the gas line is necessary for safety when the barbecue is not in use. It also provides for convenient maintenance.

For household gas systems the supplied regulator must be attached to the gas line before connecting, turning on, and testing the gas connection as outlined in this section. Remove the red safety tag from the manifold input and use a flex connector and steel pipe to connect to the regulator and supply as required. Attaching a flex connector directly

to the manifold will allow the convertible regulator to be located outside the unit for easy access.

The regulator supplied with this unit uses female 3/8" NPT threads at both ends. The manifold input uses male 1/2" NPT threads.

Important: If you have a household propane supply, convert the regulator to use propane gas by following the instructions in the section entitled CHECKING AND CONVERTING THE REGULATOR.

Test all gas connections under pressure with a half-and-half soap and water solution. If bubbles appear, there is a leak. Turn off the gas and tighten the connections. Then turn on the gas and repeat the leak test. Repeat until no leaks are detected. **Never use an open flame to test for leaks.**

GAS SUPPLY AND MANIFOLD PRESSURES

For **natural gas** - Normal 7" water column (w.c.), minimum 5" w.c., maximum 10 1/2" w.c.

For **propane gas** - Normal 11" w.c., minimum 8" w.c., maximum 13" w.c.

SAFE USE & MAINTENANCE OF PROPANE GAS CYLINDERS

IMPORTANT FOR YOUR SAFETY

READ AND FOLLOW ALL WARNINGS PROVIDED WITH THE PROPANE-GAS CYLINDER.

When operating this appliance with a propane-gas cylinder, these instructions and warnings **MUST** be observed.

FAILURE TO DO SO MAY RESULT IN A SERIOUS FIRE OR EXPLOSION.

CYLINDER/CONNECTOR REQUIREMENTS

- Propane-gas cylinders, valves, and hoses must be maintained in good condition and must be replaced if there is visible damage to either the cylinder or valve. If the hose is cut or shows excessive abrasion or wear, it must be replaced before using the gas appliance (see e.).
- This unit, when used with a cylinder, should be connected to a standard 5-gallon (20 lb.) propane-gas cylinder equipped with an OPD (Overfill Prevention Device). The OPD has been required on all cylinders sold since October 1, 1998, to prevent overfilling.
- Cylinder dimensions should be approximately 12" (30.5 cm) in diameter and 18" (45.7 cm) high. Cylinders must be constructed and marked in accordance with the *Specifications for Propane Gas Cylinders of the U.S. Department of Transportation (D.O.T.)* or the National Standard of Canada, *CAN/CSA-B339, Cylinders, Spheres, and Tubes for Transportation of Dangerous Goods*.
- The cylinder used must include a collar to protect the cylinder valve, and the cylinder supply system must be arranged for vapor withdrawal.
- The pressure regulator and hose assembly used must match the specification for Type I by *ANSI Z 21.58-2005/CGA 1.6-2005* (see Fig. 9-1).
- The propane-gas cylinder valve must be equipped with a cylinder connection coupling device, described as Type I in the standard defined in paragraph e. above. This device is commonly described as an Acme thread quick coupler.
- If the propane-gas cylinder comes with a dust plug, place the dust cap on the cylinder valve outlet whenever the cylinder is not in use.

QUICK COUPLER OPERATION

To connect the regulator/hose assembly to the propane-gas cylinder valve fitting: Press the hand nut on the regulator over the Acme thread fitting on the cylinder valve. Turn the hand nut clockwise to engage the threads and tighten until snug.

ENCLOSURE REQUIREMENTS

FOR YOUR SAFETY, you must provide the openings listed below for drainage, replacement air, and cross-ventilation of any storage area exposed to possible leakage from gas connections, the unit, or propane cylinders:

One side of the gas cylinder enclosure left completely open to the outside **OR** by providing four (4) ventilation openings. Two (2) openings are to be at the cylinder valve level (approx. 16" [40.6 cm] above the floor) and on opposite walls of the enclosure. Two (2) more openings must be at the floor level on opposite sides of the enclosure. The floor-level openings must start at the floor and shall extend no higher than 5" (12.7 cm) above the floor. Each opening must have a minimum of 10 sq. in. (64.5 cm²) of free area. To achieve the proper ventilation, you may drill a series of holes, omit the grout from masonry joints, or replace a brick with a hardware cloth screen. If the floor in the cabinet is raised and the space beneath the cabinet is open to the outside, the lower ventilation openings may be in the floor.

Consult your gas supplier for ventilation and regulator requirements when connecting to a household propane supply.

The use of pliers or a wrench should not be necessary. Only cylinders marked "propane" may be used.

To disconnect: Turn the hand nut counterclockwise until detached (Fig. 9-1).

Important: Before using the unit, and after each time the cylinder is removed and reattached, check the hose for wear (see a.) and check all connections for leaks. Turn off the unit valves and open the main cylinder valve, then check connections with soapy water. Repair any leaks before lighting the unit.

CAUTION: Always turn the propane cylinder main valve off after each use, and before moving the unit and cylinder or disconnecting the coupling. This valve must remain closed and the cylinder disconnected while the appliance is not in use, even though the gas flow is stopped by a safety feature when the coupler is disconnected.

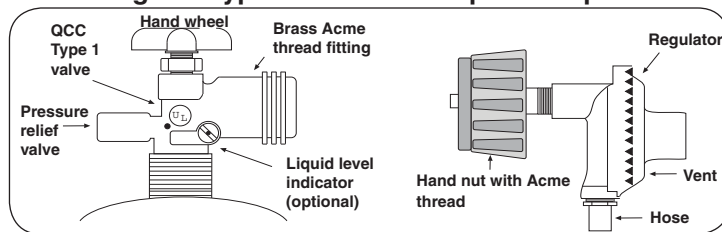
Carefully inspect the hose assembly each time before the gas is turned on. A cracked or frayed hose should be replaced immediately.

If the appliance is stored indoors, the cylinder must be disconnected and removed. Disconnected cylinders must be stored outdoors, out of the reach of children, with threaded valve plugs tightly installed, and must not be stored in a building, garage, or any other enclosed area.

FOR YOUR SAFETY

- DO NOT store a spare propane-gas cylinder under or near this appliance.
- NEVER fill the cylinder beyond 80-percent full.
- IF THE INFORMATION IN a. AND b. IS NOT FOLLOWED EXACTLY, A FIRE CAUSING DEATH OR SERIOUS INJURY MAY OCCUR.

Fig. 9-1 Type I Acme thread quick coupler



UTILISATION SÛRE ET ENTRETIEN DES CYLINDRES DE GAZ DE PROPANE

IMPORTANT POUR VOTRE SÛRETÉ

LISEZ ET SUIVEZ TOUS LES AVERTISSEMENTS ÉQUIPÉS DE VOTRE CYLINDRE DE GAZ DE PROPANE.

En actionnant cet appareil avec un cylindre de gaz de propane ON DOIT observer ces instructions et avertissements.

LE MANQUE DE FAIRE AINSI PEUT AVOIR COMME CONSÉQUENCE UNE INCENDIE OU UNE EXPLOSION SÉRIEUSE.

CYLINDRE ET CONDITIONS ET

CARACTÉRISTIQUES DE CONNECTEUR

- Des cylindres et les valves de gaz de propane doivent être maintenus en bon état et doivent être remplacés s'il y a des dommages évidents au cylindre ou à la valve.
- Ce gril, une fois utilisé avec un cylindre, devrait être relié à un gallon de la norme 5 (20lb.) cylindre de gaz de propane équipé d'un OPD (remplissez au-dessus du niveau le dispositif d'empêchement). L'OPD a été exigé sur tous les cylindres vendus depuis octobre 1.1998 pour empêcher le remplissage excessif.
- Les dimensions de cylindre devraient être approximativement 12" (30.5cm) de diamètre et 18" (45.7cm) hauts. Des cylindres doivent être construits et marqués selon les caractéristiques pour des cylindres de gaz de propane du département des ETATS-UNIS du transport (D.O.T.) ou le niveau national du Canada, du CAN/CSA-B339, des cylindres, des sphères et des tubes pour le transport des marchandises dangereuses.
- Le cylindre doit inclure un collier pour protéger la valve de cylindre et le circuit d'alimentation de cylindre doit être assuré le retrait de vapeur.
- Le régulateur de pression et l'ensemble de tuyau utilisé doivent assortir les spécifications pour le type I par ANSI Z 21.58-2005/CGA 1.6-2005 (voir la fig. 10-1).

- La valve de cylindre de gaz de propane doit être équipée d'un dispositif d'accouplement de raccordement de cylindre, décrit comme type I dans la norme définie dans le e. de paragraphe ci-dessus. Ce dispositif est généralement décrit comme coupleur rapide de fil de point culminant.
- Si votre cylindre de gaz de propane vient avec une prise de la poussière, placez le bouchon anti-poussière sur la sortie de valve de cylindre toutes les fois que le cylindre n'est pas en service.

OPÉRATION DE COUPLEUR RAPIDE

Pour relier le régulateur/hose à l'ajustage de précision de valve de cylindre de gaz de propane: Serrez l'écrou de main sur le régulateur au-dessus de l'ajustage de précision de fil de point culminant sur la valve de cylindre. Tournez l'écrou de

main dans le sens des aiguilles d'une montre pour engager les fils et pour serrer jusqu'à ce que douillettement. L'utilisation des pinces ou de la clé ne devrait pas être nécessaire. Seulement le propane marqué par cylindres doit être employé.

Pour débrancher: Tournez l'écrou de main dans le sens contraire des aiguilles d'une montre jusqu'à isolé (fig. 10-1).

Important: Avant d'employer le gril, et ensuite chaque fois que le cylindre est enlevé et rattaché, examinez tous les raccordements pour déceler les fuites. Arrêtez les valves de gril et ouvrez la valve principale de cylindre, puis vérifiez les raccordements avec de l'eau savonneuse. Réparez toutes les fuites avant d'allumer le gril.

ATTENTION: Tournez toujours la valve principale de cylindre de propane au loin après chaque utilisation, et avant de déplacer le gril et le cylindre, ou débrancher l'accouplement. Cette valve doit rester fermée et le cylindre a débranché alors que l'appareil n'est pas en service, quoique l'écoulement de gaz soit arrêté par un dispositif de sûreté quand le coupleur est débranché.

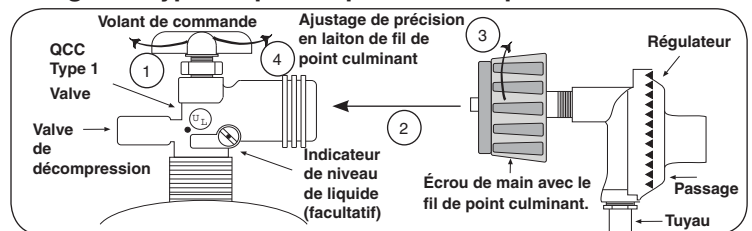
Inspectez soigneusement l'ensemble de tuyau chaque fois avant que le gaz soit allumé. Un tuyau criqué ou frangé devrait être remplacé immédiatement.

Si l'appareil est stocké à l'intérieur, le cylindre doit être disconnected et a enlevé. Des cylindres Disconnected doivent être stockés dehors, hors de la portée des enfants, avec les prises de valve filettées étroitement installées, et ne doivent pas être stockés dans un bâtiment, le garage, ou n'importe quel autre secteur inclus.

POUR VOTRE SÛRETÉ

- Ne stockez pas un cylindre de gaz disponible de propane dessous ou ne vous approchez pas de cet appareil.
- Ne remplissez jamais cylindre au delà de 80 pour cent de plein.
- SI L'INFORMATION DANS "A" ET "B" N'EST PAS SUIVIE EXACTEMENT, UN FEU CAUSANT LA MORT OU DES DOMMAGES SÉRIEUX PEUT SE PRODUIRE.

Fig. 10-1 type coupleur rapide de fil de point culminant d'I



CONDITIONS DE CLÔTURE

POUR VOTRE SÛRETÉ, vous devez fournir les ouvertures suivantes ci-dessous pour le drainage, l'air de recharge, et la ventilation en travers de n'importe quelle zone de stockage exposée à la fuite possible des raccordements de gaz, du gril, ou du cylindre de propane:

Un côté de la clôture de cylindre de gaz a laissé complètement ouvert de extérieur OU en fournissant quatre (4) ouvertures de ventilation. Deux ouvertures doivent être au niveau de valve de cylindre (approximativement 16" (40.6 centimètres) au-dessus du plancher) et sur les murs opposés de la clôture. Deux ouvertures supplémentaires doivent être au niveau de plancher des côtés opposés de la clôture. Les ouvertures de niveau de plancher doivent commencer au plancher et se prolongeront pas plus haut que 5" (12.7 centimètre) au-dessus du plancher. Chaque ouverture doit avoir un minimum de 10 pouces carrés (64.5 cm²) du secteur libre. Pour réaliser la ventilation appropriée, vous pouvez forer une série de trous, omettez le coulis des joints de maçonnerie, ou remplacez une brique avec un écran de tissu de matériel. Si le plancher dans le coffret est augmenté et l'espace sous le coffret est ouvert d'extérieur, les ouvertures inférieures de ventilation peuvent être dans le plancher.

CHECKING AND CONVERTING GAS TYPE

This unit comes from the factory configured for natural gas, as marked on the label behind the control panel.

Converting this unit to burn a different type of gas requires a conversion kit from the factory. The professional installer who converts this unit to burn a different gas must perform the following functions:

1. Change brass gas orifices (included at original shipping) on each burner to match the new gas type (see PRODUCT DATA TABLE, Table 1).
2. Switch the convertible gas regulator (included at original shipping) to match the new gas type (see below).
3. Plumb the unit to the new gas supply.
4. Apply a new label behind the control panel, indicating the new gas the unit will burn and covering the old gas information.

HAZARDOUS OVERHEATING WILL OCCUR IF A NATURAL-GAS ORIFICE IS USED WITH PROPANE GAS. IF YOU ARE NOT SURE IF THE CORRECT ORIFICES ARE INSTALLED, OR IF AN ORIFICE CHANGE IS NECESSARY, REFER TO THE FOLLOWING INSTRUCTIONS.

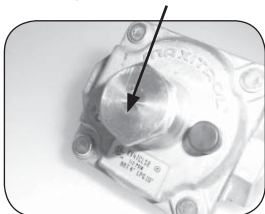
INSTALLING THE REGULATOR

The regulator must be attached to the unit before connecting to the gas supply. Attach the regulator in-line between the gas supply and unit oriented so that the arrow stamped on the back is pointing in the direction of gas flow. The regulator female gas ports come with 3/8" adapters that may be removed to plumb to 1/2" pipe. Use pipe compound resistant to all gasses on all male pipe fittings. Check that the regulator is configured for your gas supply as shown below.



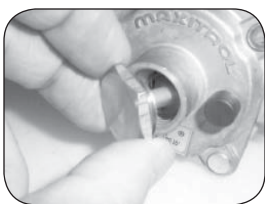
CHECKING AND CONVERTING THE REGULATOR

Regulator: note the cap on top



Note: Each end of the plastic converter is engraved with either the letters "NAT" or "L.P." (propane) for the respective gasses. When the converter is in the cap and the cap is held uppermost, the letters seen indicate the gas that the regulator is set up for.

To convert the regulator from one gas to another, follow steps 1-4.



STEP 1: Unscrew and remove the cap from the regulator, extracting the converter.

Read gas type here

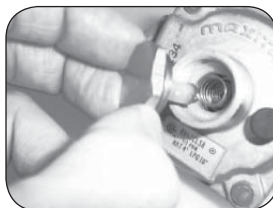


STEP 3:

Turn the converter around and replace it carefully, into the center of the cap (it will snap into place). Check that you can read the type of gas the unit is set for.



STEP 2: Remove the converter (the plastic stalk) by carefully pulling it away from the center of the cap (it will snap out of its seating).



STEP 4:

Replace the unit into the regulator and screw down until snug.

WARNING

THIS APPLIANCE REGULATOR IS RATED FOR 1/2 PSI MAXIMUM. IF YOUR GAS SUPPLY IS GREATER THAN 1/2 PSI, AN ADDITIONAL REGULATOR MUST BE INSTALLED TO REDUCE THE INPUT PRESSURE TO THE UNIT TO 1/2 PSI OR LESS. SEE GAS-SUPPLY REQUIREMENTS SECTION FOR PROPER GAS-SUPPLY PRESSURE.

CHECKING/CONVERTING THE BURNER ORIFICES

MAIN BURNER ORIFICE SIZE CHECKING/CONVERSION

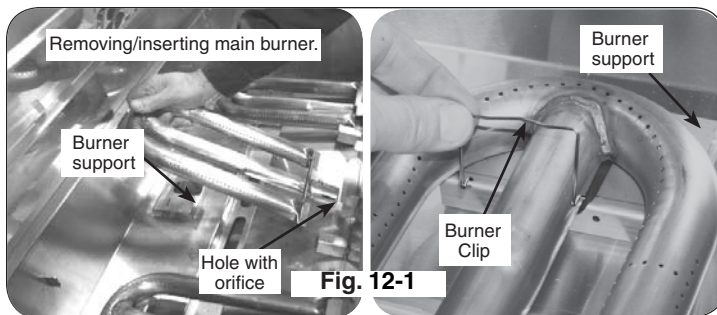
Before beginning, make sure you have the proper tools for the task.

This task requires:

- a #2 Phillips-head screwdriver
- a deep $\frac{3}{8}$ " nut driver with a spacer (#6 nut)

Note: It may be necessary to remove the rotisserie rod before beginning this procedure.

1. Remove cooking grids & flavor grids from the barbecue.
2. **Turn the burner valves to the OFF position.** Pull the valve knobs from their stems and set them aside. Using a Phillips screwdriver, unscrew the face fastener screws, (located on the sides of the face) and remove the face from the barbecue. Retain the screws and finish washers for reattaching the face.



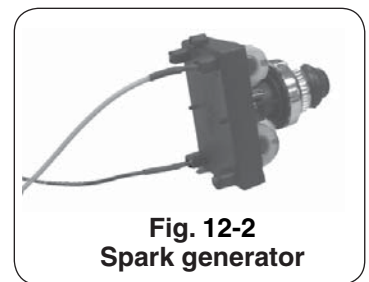
Note: Carefully, lift the face away from the frame. The spark generator for the ignition system is attached to the inside of the face panel. The spark generator knob need not be detached, but the wires must be unplugged from the generator before the face is completely removed (see Fig. 12-2).

3. Slightly pinch and remove the burner clip (located over the rear center of the burner) from the burner support and set aside. Then carefully lift the burner from the burner support and out from the hole in the forward fire wall (see Fig. 12-1).

4. Using a $\frac{3}{8}$ " socket, remove the orifice from the valve. Access this through the hole in the forward firebox plate (see PARTS LIST and Fig. 12-1). Check the number stamped on the face of the orifice (see Table 1). Repeat for each burner as necessary.
5. If the barbecue does not have the proper orifices installed for the gas supply you intend to use, replace them with the correct orifices. Some orifices were supplied with the barbecue. They may also be obtained from the conversion kit or supplied by your local dealer.

Note: A regulator hose will need to be connected for conversion to propane gas.

6. After checking the orifice drill size or replacing the orifice, replace the burner over the orifice fitting, sliding it forward,



from behind the forward fire wall, so the orifice is centered inside the burner gas inlet, and set it gently onto the burner support. The studs on the bottom back of the burner must each fit through their respective holes in the burner support. This is critical to the safe function of the barbecue. Finally, re-install the burner clip (from step 3) around the burner and into the corresponding holes in the burner support (see Fig. 12-1).

MAIN BURNER AIR SHUTTER ADJUSTMENT

INSTALL THE FLAVOR GRIDS

Place the flavor grids directly on the support bracket above the burners. The panels allow heat from the burners to be evenly distributed throughout the cooking area. The panels are stainless steel and will heat and cool quickly, making your barbecue

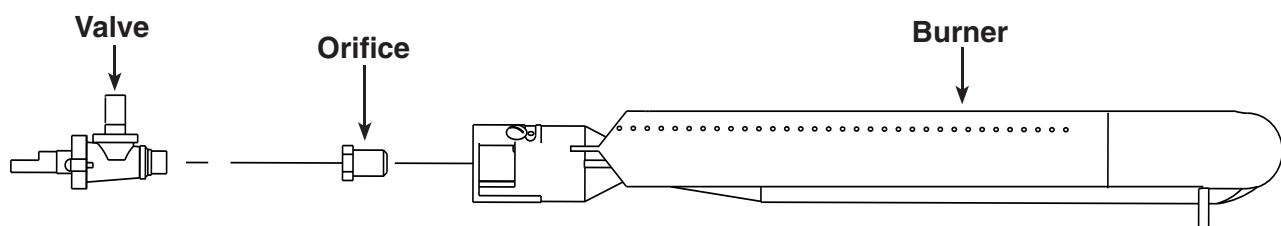


Fig. 12-3 - Burner orifice diagram

CHECKING/CONVERTING THE BURNER ORIFICES (Cont.)

very responsive to the changes you specify in grill temperature. They are rust resistant and may be cleaned with standard oven cleaners. Some discoloring will be seen with use. This is normal for stainless steel and does not affect the function.

ADJUSTING YOUR BARBECUE

Important: This appliance may not light or heat evenly or cook properly unless the air shutters are adjusted following installation (see AIR SHUTTER ADJUSTMENT section).

Burner air shutters are easily accessed by removing the front face panel. The air shutters are located on the front portion of each burner and have a locking screw that prevents the air shutter from inadvertent movement (see Fig. 13-1).

To close or open the air shutters, simply loosen the locking screw, using a long stemmed Phillips screwdriver, and turn the air shutter to open or close it. Tighten the screws down when the desired setting is achieved.

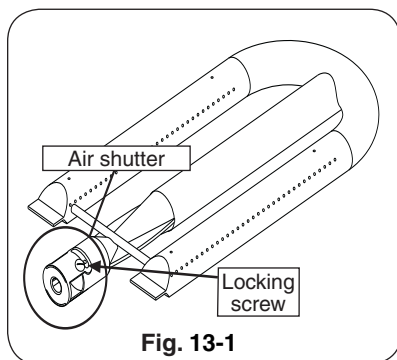


Fig. 13-1

AIR SHUTTER ADJUSTMENT

Light the burner to be adjusted in accordance with the LIGHTING INSTRUCTIONS and burn for 2 minutes with the burner control knob set to **HIGH** and the oven open. After burning for 2 minutes, open the air shutter until the flames lift off, or appear not to be touching the burner. Then begin closing

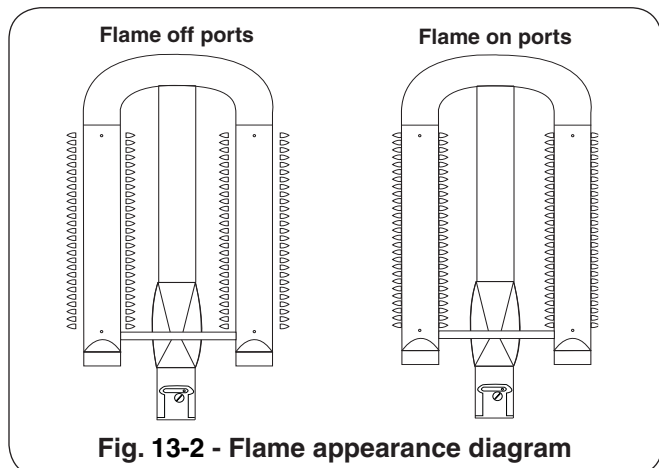


Fig. 13-2 - Flame appearance diagram

the air shutter until the flames appear to burn while touching the burner ports (Fig. 13-2). If flames are a lazy yellow, open the air shutters until the flame is mostly blue.

Note: Barbecues in some installations achieve a better air/gas mixture and will ignite more quickly if the valve is first turned beyond **HIGH** to **MEDIUM** or **LOW** for lighting.

BACKBURNER ORIFICE SIZE CHECKING/CONVERSION (IF EQUIPPED)

Before beginning, make sure you have the proper tools for the task.

This task requires:

- a 1/4" nutdriver
- a 3/8" wrench or socket screwdriver

Note: It may be necessary to remove the rotisserie rod before beginning this procedure.

1. Remove the backburner assembly as follows:
 - a. Remove the backburner electrode mounting screw (1/4" hex) (see Fig. 13-3) and loosen the electrode. Draw the wire attached to the electrode down through the slot in the bottom of the bracket so that the left side of the backburner is free to be removed.
 - b. Remove the backburner mounting screws (1/4" hex) located at the left end of the backburner assembly (see Fig. 13-3).

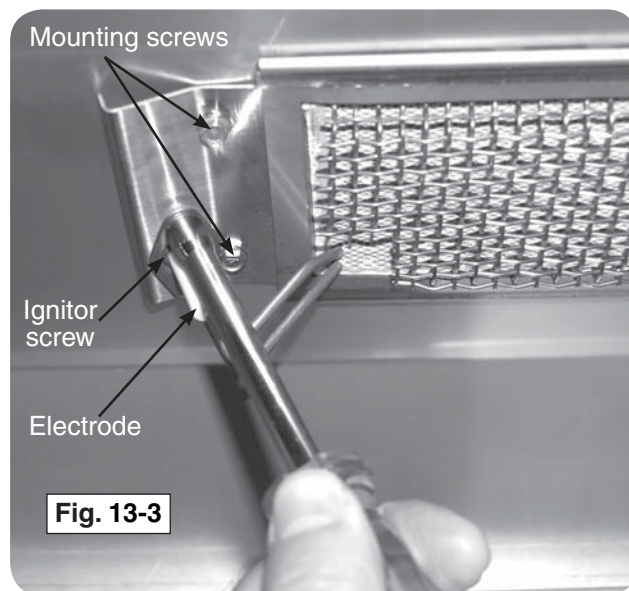


Fig. 13-3

Remove electrode and backburner mounting screws.

BARBECUE SAFETY INFORMATION & MAINTENANCE

Each time you use the barbecue, make sure that:

1. The area around the barbecue is clear of flammable vapors, liquids, and substances such as gasoline, yard debris, wood, etc.
2. There is no blockage of the airflow through the vent space located below the face of the unit.
3. When using propane gas:
 - a. The special ventilation openings in the enclosure should be kept free and clear of debris (see **PLANNING THE LOCATION OF THE BARBECUE**).
 - b. If connected to a propane cylinder, the rubber hose attached to the regulator should be carefully inspected before each use.
 - c. The propane cylinder, regulator, and rubber hose should be installed in a location not subject to heating above 125° F (51° C).
4. The burner flames burn evenly along both sides of each burner with a steady flame, which is mostly blue. (Refer to section on **AIR SHUTTER ADJUSTMENT**.) A proper flame pattern will ensure safe operation and optimal performance. Adjust the air shutter as needed. If burner flames are not normal, check the orifice and burner for insects or insect nests.
5. The inline gas valve or gas cylinder valve is always shut **OFF** when the barbecue is not in use.
6. The drip collector hole is clear and unobstructed. Excessive grease deposits can result in a grease fire.
7. The barbecue is free and clear from combustible materials, gasoline, and other flammable vapors and liquids.

DRIP COLLECTION SYSTEM

The drip collector in this barbecue is part of the unit's main frame and is located below the burners. The drip collector has slots that will allow excess drippings to fall through during cooking, while separating the firebox from the drip tray. Clean the drip tray after each use.

The drip collector allows you to brush or scrape residue from the barbecue's inner liner into the drip tray. Following the manufacturer's instructions and regular cleaning of the barbecue's interior with oven cleaner, will help to prevent grease fires.

Periodically check the burners to make sure they are clear of debris. Properly adjusted burner flames burn evenly along both sides of each burner with a steady flame (mostly blue). If burner flames are not normal, check the orifice and burner for insects or insect nests. (See section on **CHECKING/CONVERTING THE BURNER ORIFICES** for instructions on burner removal and replacement.)

Check the burner ports at least annually for blockage by removing the burner (see orifice changing instructions) and visually inspect the gas intake tube for insects and nests. A clogged tube can lead to a fire beneath the grill.

WARNING

NEVER cover the *entire* cooking or grill surface with griddles or pans. Overheating will occur and burners will not perform properly when combustion heat is trapped below the cooking surface.

CAUTION: NEVER spray water on a hot gas unit.

ALLUMER DES INSTRUCTIONS (D'ALLUMAGE)

Lisez l'instruction entière avant que s'allumant et suivez ces instructions chaque fois vous lumière le barbecue.

ÉCLAIRAGE ÉLECTRONIQUE

1. Ouvrez tous les couvercles et enlevez toutes les couvertures des brûleurs que vous souhaitez vous allumer.
2. Arrêtez tous les boutons de commande de gaz à leurs positions.
3. Allumez le gaz à sa source.

Note: Aucune matière que la méthode d'éclairage

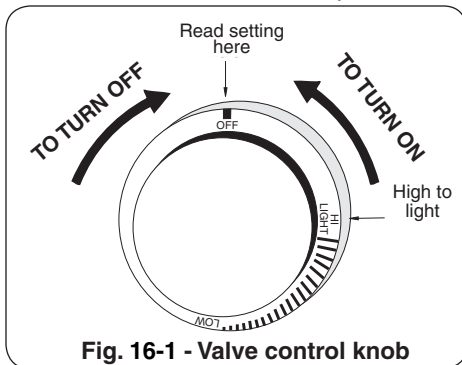


Fig. 16-1 - Valve control knob

vous emploient, n'allument pas le gaz à plus d'un brûleur à la fois. Les brûleurs adjacents de barbecue croix-mettront à feu et l'écoulement de gaz peut être restreint.

détails.)

Note: Les barbecues dans quelques installations réalisent un meilleur mélange d'air/gas et mettront à feu plus rapidement si le bouton de commande de brûleur est d'abord tourné au delà de la LUMIÈRE de HI au BAS pour l'éclairage.

ÉCLAIRAGE MANUEL

ATTENTION: Attendez toujours 5 minutes le gaz à l'espace libre après que n'importe quelle tentative non réussie d'éclairage.

1. Suivez les étapes 1 à 4 (à gauche).
2. Insérez un allumeur brûlant de butane de long-baril, une allumette brûlante de long-tige, ou une allumette brûlante tenue par un support de prolongation de fil (Fig. 16-2) par les grilles à cuire au brûleur (Fig. 16-3). Pour des backburners, tenez la flamme contre le matériel perforé du brûleur arrière. Pour des sideburners, tenez la flamme contre le brûleur.
3. Tout en tenant l'allumette ou la flamme plus légère à côté du brûleur, enfoncez le bouton de commande approprié de brûleur et tournez-le dans le sens contraire des aiguilles d'une montre dans la position LÉGÈRE de HI. Quand les lumières de brûleur, enlèvent l'allumette ou

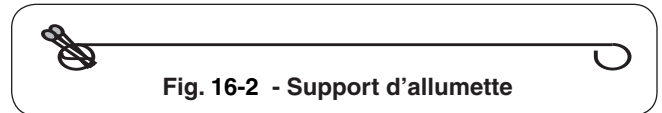


Fig. 16-2 - Support d'allumette

ATTENTION: Si les brûleurs ne s'allument pas dans 5 secondes, enfoncez le bouton de commande et tournez le bouton à AU LOIN. ATTENDEZ 5 MINUTES avant de répéter l'étape 5. Si vous sentez le gaz suivez les instructions sur la couverture de ce manuel. Si les brûleurs ne s'allument toujours pas après que plusieurs tentatives, se rapportent aux instructions pour l'ÉCLAIRAGE MANUEL.

4. Enfoncez le bouton de commande pour que le brûleur soit allumé et tournez-le dans la position LÉGÈRE de HI, puis appuyez sur le bouton d'allumage. Une fois que le brûleur s'allume, libérez le bouton d'allumage.
5. Répétez l'étape 4 pour que chaque brûleur additionnel soit allumé.

s'assortissent.

4. Si le brûleur ne s'allume pas, enfoncez **immédiatement** le bouton et tournez le bouton de commande de brûleur à AU LOIN. ATTENDEZ 5 MINUTES avant de répéter les étapes 2 à 4 des INSTRUCTIONS MANUELLES d'ÉCLAIRAGE.

POUR LE PROPANE SEULEMENT

Les réservoirs de propane sont équipés d'un dispositif d'arrêt de sûreté qui peut ne pas causer le bas ou aucun gaz pressure/flame aux brûleurs si le fonctionnement et allumer des instructions ne sont pas suivis exactement (voir la note importante dans la section de dépannage pour plus de

COUPER LE GRIL

Pour couper le gril, enfoncez chaque bouton de commande de valve et tournez-le dans le sens des aiguilles d'une montre à la position de repos.

Fermez toujours la valve à l'offre de gaz après chaque utilisation du barbecue.



Fig. 16-3 - Éclairage manuel

RAPPEL-VOUS: POUR L'ÉCLAIRAGE MANUEL SÛR, PLACEZ Un ALLUMEUR BRÛLANT D'ALLUMETTE OU De BUTANE PRÈS Du BRÛLEUR - **ALLUMEZ ALORS Le GAZ** (voyez Fig. 16-3).

LIGHTING (IGNITION) INSTRUCTIONS

Read entire instructions before lighting, and follow these instructions each time you light the grill.

ELECTRONIC LIGHTING

1. Open all lids and remove all covers from the burners you wish to light.
2. Turn all gas control knobs to their **OFF** positions.
3. Turn on the gas at its source.

Note: No matter which lighting method you use,

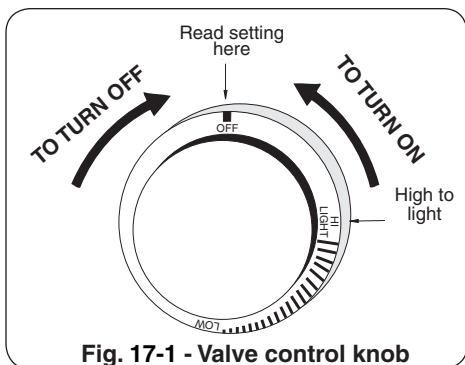


Fig. 17-1 - Valve control knob

DO NOT turn on the gas to more than one burner at a time. Adjacent grill burners will cross-ignite, and gas flow may be restricted.

CAUTION: If the burners do not light within five seconds, depress the control knob and turn the knob to **OFF**. **WAIT FIVE MINUTES** before repeating step 4. If you smell gas, follow the instructions on the cover of this manual. If the burners still do not light after several attempts, refer to the instructions for **MANUAL LIGHTING**.

4. Depress the control knob for the burner to be lit and turn it to the **HI LIGHT** position, then press the ignition button. Once the burner lights, release the ignition button.
5. Repeat step 4 for each additional burner to be lit.

FOR PROPANE ONLY

Propane tanks are equipped with a safety shutdown device that may cause low or no gas pressure/flame at the burners if operating and lighting instructions are not followed exactly (See important note in the **TROUBLESHOOTING** section for more details.)

MANUAL LIGHTING

CAUTION: Always wait five minutes for gas to clear after any unsuccessful lighting attempt.

1. Follow steps 1 through 4 (left).
2. Insert either a burning long-barrel butane lighter, a burning long-stem match, or a burning match held by a wire extension holder (Fig. 17-2) through the cooking grids to the burner (Fig. 17-3). For backburners, hold the flame against the perforated material of the backburner. For sideburners, hold the flame against the burner.
3. While holding the match or lighter flame next to the burner, depress the appropriate burner control knob and turn it counterclockwise to the **HI LIGHT** position. When the burner lights, remove the lighter or match.

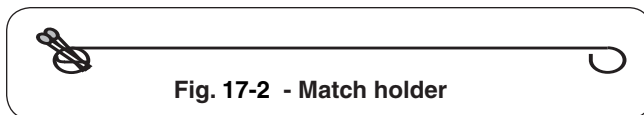


Fig. 17-2 - Match holder

4. If the burner does not light, **IMMEDIATELY** depress the knob and turn the burner control knob to **OFF**. **WAIT FIVE MINUTES** before repeating steps 2 through 4 of the **MANUAL LIGHTING INSTRUCTIONS**.

Note: Some installations achieve a better air/gas mixture and may ignite quicker if the burner control knob is first turned beyond **HI LIGHT** to **LOW** for lighting.



Fig. 17-3 - Manual lighting

REMEMBER: FOR SAFE MANUAL LIGHTING, PLACE A BURNING MATCH OR BUTANE LIGHTER BESIDE THE BURNER - **THEN TURN ON THE GAS** (see Fig. 17-3).

SHUTTING OFF THE GRILL

To shut off the grill, push in each valve control knob and turn it clockwise to the **OFF** position.

Always close the valve to the gas supply after each use of the grill.

ROTISSERIE INSTRUCTIONS (IF EQUIPPED)

CAUTION: WHEN USING THE BACKBURNER; KEEP THE OVEN LID CLOSED TO PREVENT HEAT LOSS, PROVIDE PROPER CONVECTION, AND PROVIDE PROPER VENTING. THIS WILL ENSURE EVEN COOKING TEMPERATURES.

1. Remove the warming rack and cooking grids from the barbecue. The flavor grids may also be removed if required.

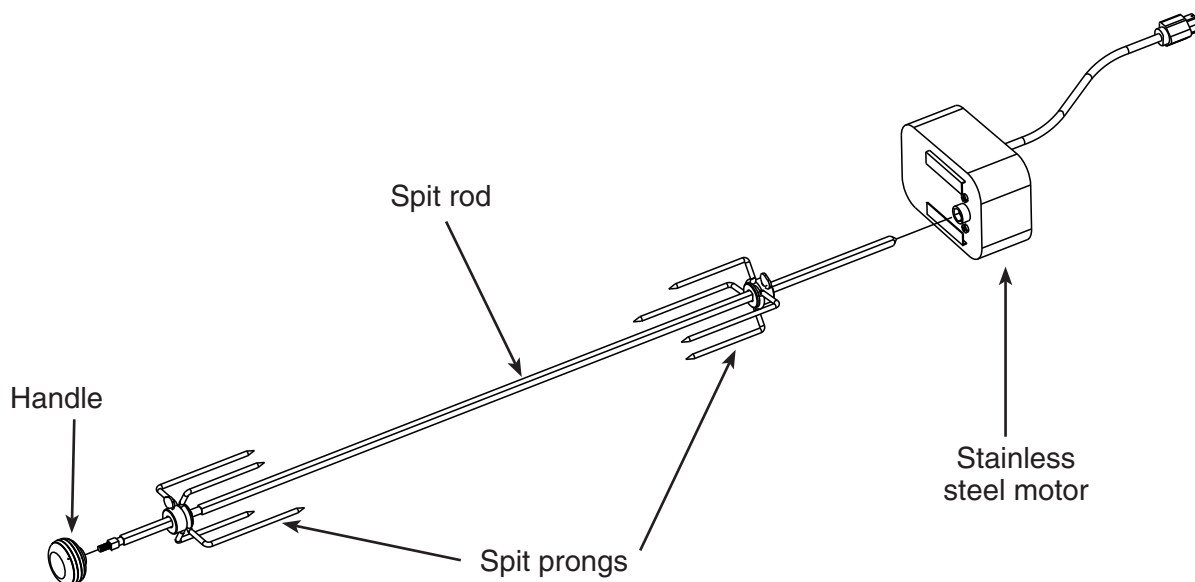
Tip: Aluminum foil or a baking pan may be placed over the main burners / flavor grids, a little forward of center, to catch excess drippings from the meat.

2. Attach the rotisserie motor to the rotisserie mounting on the right side of your barbecue by sliding the bracket attached to the motor onto the tab on the right of the barbecue. The motor should be installed so that the spit rod will fit into the motor drive socket from the left.

3. Slide the left spit prong onto the rod (and tighten), the meat onto the rod and into the prong, followed by the right spit prong onto the rod and into the meat. Tighten the right spit prong. Be sure the meat is centered and balanced as well as possible.
4. Insert the pointed end of the rod into the motor drive socket and the groove next to the handle into the left support bracket.
5. Plug in (if necessary) and turn on the rotisserie motor.
6. Light backburner per lighting instructions in this manual (or on drip tray handle) and close oven lid.
7. Allow the backburner to preheat for approximately 10 minutes on **HI LIGHT** setting.

Note: When burning properly, the backburner grating will glow red. The first time it is used the backburner may smoke a little.

Important: Turn the backburner to low or off when stopping the rotisserie to prevent overcooking.



REPLACING THE IGNITOR BATTERY

1. Remove the ignitor cover by turning it counterclockwise.



Important: Do not attempt to pull or turn the rubber cap.



2. Remove battery for replacement. The battery is reinstalled with the negative (-) end out.



3. After properly inserting the battery, replace the ignitor cover by turning the cap clockwise.



Note: If you have accidentally removed the rubber cap, follow the instructions below to replace it.

1. Pull the rubber cap and the inner plastic sleeve apart.
 2. Carefully insert the rubber cap into over and slide the ignitor cover so inner plastic sleeve it sits behind inner into the cap lip.
 3. Turn the cap over and slide the inner plastic sleeve apart.



TROUBLESHOOTING

If you have trouble with the unit, please use this list to identify the problem. By trying one or more of the solutions to the possible cause, you should be able to solve the problem. If this list does not cover your present problem, or if you have other technical difficulties with the unit, please contact your local dealer.

| PROBLEM | POSSIBLE CAUSE | CORRECTION |
|--------------------------------|---|---|
| Ignition system failure | 1) Improper air shutter adjustment | 1) Adjust air shutters. |
| | 2) Ignition wire disconnected | 2) Replug wires into generator. |
| | 3) Low gas pressure | 3) Adjust or replace battery. |
| | 4) Dead battery | 4) Replace battery. |
| Insufficient heat | 1) Improper air shutter adjustment | 1) Adjust air shutters. |
| | 2) Using propane orifice for natural gas | 2) Change orifices. |
| | 3) Low gas pressure/flame (natural) | 3) Have gas company check the operating pressure at the unit. |
| | 4) Low gas pressure/flame (propane) | 4) Refill propane tank, or reset propane tank safety*: Shut off all valves (including propane tank) and follow lighting instructions exactly. |
| Uneven heating | 1) Burner ports partially blocked by debris | 1) Remove burners and clean out ports. |
| | 2) Small spiders or insects in burner | 2) Inspect burners for spider webs or other debris that may block gas flow. |
| Burner goes out on LOW | 1) Valve "Low" setting needs adjustment | 1) Light burner on HIGH, immediately turn to LOW setting. Remove knob from valve and using a small flat screwdriver, slowly turn the adjustment screw in the stem, a little at a time (30° to 45°), in either direction, until the flame is approximately 1/4" in height from burner ports. |
| Rotisserie noisy | 1) Rotisserie out of balance | 12) Adjust the meat on the spit rod. |

Note: *Propane tanks are equipped with a safety shutdown device that may cause low or no gas/flame at the burners if operating and lighting instructions are not followed exactly. If you suspect the propane tank safety shutoff is in effect, shut off all burner control valves and the propane tank valve. Then read and follow the LIGHTING INSTRUCTIONS exactly. Lighting instructions are located in the owner's manual. If the problem persists, continue troubleshooting, or contact your local dealer or distributor for assistance.

ACCESSORIES

THE FLAVOR GRID(S)

Place each flavor grid directly on a burner or burner pair. Center each panel over the burner, oriented as shown in Fig. 20-1.

Note: This allows heat from the burners to be evenly distributed throughout the cooking area. The flavor grids heat and cool quickly, making the grill very responsive to the changes in heat from the burners.

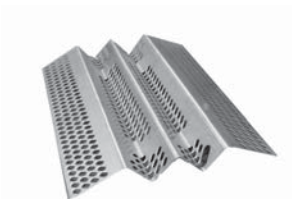


Fig. 20-1

THE DRIP TRAY

The drip collection system allows you to brush or scrape excess dried residue from the grilling area directly into the drip tray (see PARTS LIST for drip tray location). To simplify cleanup when using the rotisserie, you may place a baking pan or foil under the rotisserie on top of the burners to collect the drippings. Clean the drip tray after each use.

THE WARMING RACK (if equipped)

The warming rack (Fig. 20-2) is packed separately.

To install the warming rack, lift the front of the rack up slightly and insert the rack hangers into the two holes in the back of the inner oven hood just above the backburner. Then lower the front of the rack into a level position to lock the rack in place.

To remove the warming rack, lift up on the front of the rack until the rack hangers pull free from their supporting holes.

Note: Removing the warming rack before using the rotisserie will leave more clearance for the meat being cooked.



Fig. 20-2 Warming rack in place inside oven

CARE AND CLEANING

APPLIANCE MUST BE COMPLETELY COOL WHEN CLEANING. DO NOT SPRAY ANY CLEANER OR LIQUIDS ON THE APPLIANCE WHEN HOT.

Stainless steel surfaces when exposed to temperatures produced by the grilling process will change color. The stainless steel will change color from silver to brown and blue. This can be removed by using Fire Magic Stainless Steel Cleaner (3581-1).

Clean your appliance by first using Fire Magic Barbecue and Grill Cleaner (part #3580-1) to remove grease and dirt. Always wipe with the grain (See Fig. 21-1). Next, use Fire Magic Stainless Steel Cleaner (3581-1) to restore the stainless steel color (Note: not for mirror finish). Finish by wiping your appliance down using Fire Magic Polish Wipes (3586-1). **To clean the mirror panel (if applicable), use a quality brand glass cleaner only, not any of the cleaners mentioned above.**

Clean your appliance at least once a month.

If your appliance is installed in a seaside (salt air) or poolside (chlorine) location, it will be more susceptible to corrosion and must be maintained/cleaned more frequently. Do not store chemicals (such as chlorine or fertilizer) near your stainless steel appliance.

Due to the nature of stainless steel, surface iron oxide deposits may appear. Do not be alarmed – these deposits are removable with stainless-steel cleaner through prompt and periodic maintenance. If not attended to promptly, permanent pitting may occur.

Check and clean the burner ports and burner carry-over slits for blockage at least annually by removing the burner (see orifice changing instructions) and visually inspecting the burner inlet for insects and nests. A clogged burner can lead to a fire in the bottom of the appliance. (For Fire Magic grills use Maintenance Kit part #MK-1.)

The inside of the appliance may be cleaned periodically with oven cleaner if desired. Follow the oven cleaner instructions for proper use.

Be careful not to get oven cleaner on the outside surface of the appliance as it can permanently damage the finish.

By following these recommendations, you will enjoy the beauty and convenience of your appliance for many years to come.

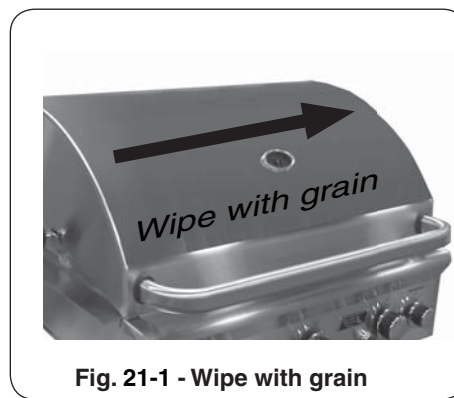


Fig. 21-1 - Wipe with grain

PROTECTING YOUR APPLIANCE FROM THE WEATHER

An optional heavy-duty cover will protect your appliance's finish and protect your investment. The water repellent cover will protect your appliance from the weather. Always cover your appliance when not in use. (Allow to cool before covering.)

Please specify the model number and serial number of your appliance when ordering a cover.

IMPORTANT

IN THE EVENT OF A GREASE FIRE, IMMEDIATELY SHUT OFF THE MAIN GAS VALVE TO THE GRILL. KEEP THE LID OPEN AND ALLOW THE FIRE TO EXTINGUISH ITSELF. A THOROUGH INSPECTION BY A TRAINED SERVICE TECHNICIAN SHOULD BE CONDUCTED BEFORE FUTURE USE OF YOUR GRILL. THE SERVICE TECHNICIAN WILL CHECK THE SYSTEM FOR GAS LEAKS AND WILL CHECK ALL ELECTRICAL WIRING FOR DAMAGE. ALL GAS LEAKS AND WIRING MUST BE REPAIRED PRIOR TO FUTURE USE.

AMERICAN OUTDOOR GRILL LIMITED WARRANTY

AMERICAN OUTDOOR GRILL LIMITED WARRANTY

American Outdoor Grill stainless steel burners are warranted for 15 YEARS
All other American Outdoor Grill parts are warranted for 10 YEARS

Except as noted below

American Outdoor Grill ignition systems (excluding batteries), accessories (including sideburners, motors, and thermometers), and flavor grids are warranted for one year from the date of purchase.

PLEASE KEEP A COPY OF YOUR SALES SLIP FOR PROOF OF PURCHASE

This warranty applies to the original purchaser and to single family residential use only. It commences from date of purchase, and is valid only with proof of purchase.

This warranty does not cover parts becoming defective through misuse, accidental damage, electrical damage, improper handling, storage, and/or installation. Product must be installed (and gas must be connected) as specified in the instructions or operator's manual, by a **qualified professional installer**. Accessories, parts, valves, remotes, etc., when used must be Peterson Co. product.

This warranty **does not** apply to rust, corrosion, oxidation, or discoloration, unless the affected component becomes inoperable. It **does not** cover labor or labor-related charges.

This warranty specifically excludes liability for **indirect, incidental**, or consequential damages. Some states do not allow the exclusion or limitation of incidental or consequential damages, so the above exclusion may not apply to you. This warranty gives you specified legal rights, and you may have other rights that may vary from state to state.

For additional information regarding this warranty, or to place a warranty claim, contact the R.H. Peterson dealer where the product was purchased.

**TO REGISTER YOUR PRODUCT ONLINE GO TO: WWW.AMERICANOUTDOORGRILL.COM,
AND CLICK ON PRODUCT REGISTRATION. THANK YOU FOR YOUR PURCHASE.**

American Outdoor Grills
14724 Proctor Ave.
City of Industry, CA 91746

| Quality Check | | | Date: _____ | |
|-----------------|-------|-------|------------------------------|--------------------|
| Burner Orifices | Nat. | L.P. | Leak Test: _____ | Model#: _____ |
| Main: | _____ | _____ | Burn Test: _____ | Serial#: _____ |
| Back: | _____ | _____ | Gas Type: <u>Nat. / L.P.</u> | Air Shutter: _____ |
| Side/Power: | _____ | _____ | | Inspector: _____ |
| Other: | _____ | _____ | | |

American Outdoor Grill • 14724 Proctor Avenue • City of Industry, CA 91746
www.americanoutdoorgrill.com