



DOOR & DRAWER INSTALL SPECIFICATIONS



Model # 13-31-SSD Shown



Model # 17-24-SSDR Shown

GENERAL INFORMATION

INSTALLER: Leave these instructions with consumer.
CONSUMER: Retain for future reference.

WARNING

This unit is to be installed by a qualified, professional service technician.

Important: READ THESE INSTRUCTIONS CAREFULLY BEFORE STARTING INSTALLATION

- When installing this unit directly below another unit, only install with AOG built-in products.
- For proper installation, be sure to use the correct cutout dimensions as specified for your specific model number.
- It is recommended that silicon caulking (not supplied) is applied around the back of the door/drawer cabinet trim before sliding the cabinet assembly into the opening.

INSTALLATION GUIDELINES

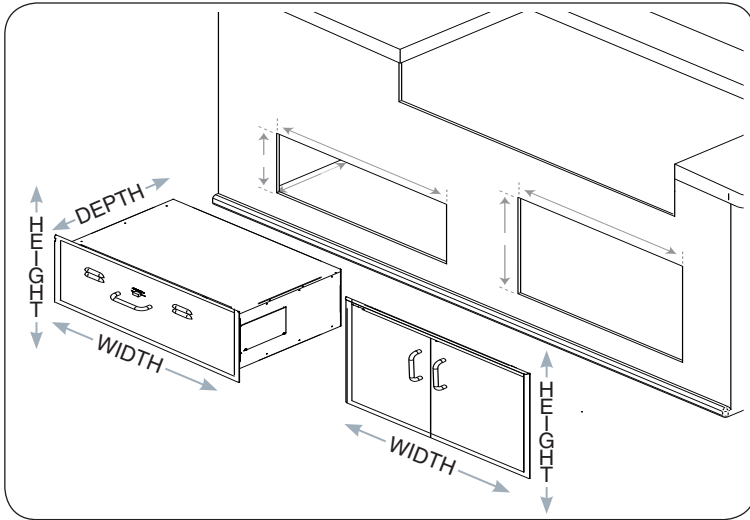


Fig. 2-1 Cut-out Dimension Guide

For proper installation, be sure to use the correct cutout dimensions as specified for your specific model number. Locate your model on the following pages for dimensions, and reference Fig. 2-1 for proper orientation.

DRAWER

Before installing your drawer, remove the drawer from its base by completely pulling it out. Release the drawer from the drawer slides by pressing the black lever down on the right side, and up on the left side (Fig 2-2). Then pull outward on the drawer until it comes free of the runners.

1. In order to properly support the weight of your drawer, it is necessary to provide a secure, level surface in the rear of the unit. (See Fig 2-3) This may be accomplished by using bricks, 2 X 4's, etc. Be sure that the height of this rear support is $\frac{1}{8}$ " higher than that of the front opening support, so that your drawer sits level.
2. Slide in and fasten the unit securely into the island enclosure using the appropriate hardware for your enclosure (not supplied) through the installation screw slots in the top and bottom of the unit.
3. To re-attach the drawer; extend the drawer slides completely and align the drawer into the slides, pushing the drawer closed. Open the drawer to verify that it has locked in place.

DOOR

Slide in and fasten the unit securely into the island enclosure using the appropriate hardware for your enclosure (not supplied) through the installation screw slots in the top and bottom of the unit.

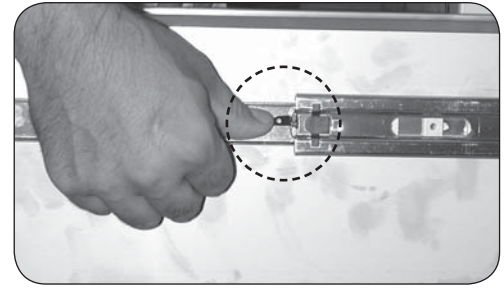


Fig. 2-2 Releasing drawer from slides

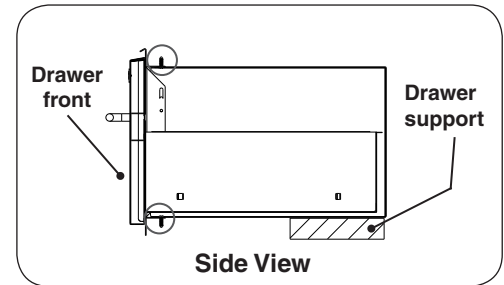


Fig. 2-3 Drawer Installation (Side View)

DOORS & DRAWERS

Cut-out is height x width x depth



MASONRY DRAWER
MODEL: 13-31-SSD
CUT-OUT: 13" x 31" x 20 1/2"



SINGLE ACCESS DOOR*
MODEL: 14-20-SSDR
CUT-OUT: 15" x 20 1/2"



DOUBLE DRAWER
MODEL: 16-15-DSSD
CUT-OUT: 15 3/4" x 14 1/2" x 20 1/2"



SINGLE ACCESS DOOR*
MODEL: 20-14-SSDR
CUT-OUT: 21" x 14 1/2"



SINGLE ACCESS DOOR WITH TANK TRAY AND LOUVERS*
MODEL: 20-14-SSDLV
CUT-OUT: 21" x 14 1/2" x 20 1/2"



SINGLE ACCESS DOOR*
MODEL: 17-24-SSDR
CUT-OUT: 18" x 24 1/2"



SINGLE ACCESS DOOR
MODEL: 17-24-SD
CUT-OUT: 17 1/2" x 24 1/2"



SINGLE ACCESS DOOR
MODEL: 20-14-SD
CUT-OUT: 20 1/2" x 14 1/2"



SINGLE ACCESS DOOR WITH LOUVERS
MODEL: 20-14-SDV
CUT-OUT: 20 1/2" x 14 1/2"



DOUBLE ACCESS DOOR
MODEL: 20-30-SD
CUT-OUT: 20 1/2" x 30"

Also available: (not shown)

- MODEL:** 14-20-SSDL **CUT-OUT:** 15" x 20 1/2"
- MODEL:** 17-24-SSDL **CUT-OUT:** 18" x 24 1/2"
- MODEL:** 20-14-SSDL **CUT-OUT:** 21" x 14 1/2"
- MODEL:** 24-17-SSDL or SSSDR **CUT-OUT:** 25" x 17 1/2"
- MODEL:** 20-14-SSDRV **CUT-OUT:** 21" x 14 1/2" x 20 1/2"
- MODEL:** 20-30-SSD **CUT-OUT:** 21" x 30 1/2" x 20 1/2"
- MODEL:** 12-18-SD **CUT-OUT:** 12 1/2" x 18 1/2"
- MODEL:** 18-12-SD **CUT-OUT:** 18 1/2" x 12 1/2"
- MODEL:** 24-17-SD **CUT-OUT:** 24 1/2" x 17 1/2"
- MODEL:** 14-20-SD **CUT-OUT:** 14 1/2" x 20 1/2"

CARE AND CLEANING

Clean your unit by first using Fire Magic Barbecue and Grill Cleaner (part #3580-1) to remove grease and dirt. Always wipe with the grain (See Fig. 4-1). Next, use Fire Magic Stainless Steel Cleaner (3581-1) to restore the stainless steel color. Finish by wiping your unit down using Fire Magic Polish Wipes (3586-1).

If your unit is installed in a seaside (salt air) or poolside (chlorine) location, it will be more susceptible to corrosion and must be maintained/cleaned more frequently. Do not store chemicals (such as chlorine or fertilizer) near your stainless steel unit.

Due to the nature of stainless steel, surface iron oxide deposits may appear. Do not be alarmed – these deposits are removable with stainless-steel cleaner through prompt and periodic maintenance. If not attended to promptly, permanent pitting may occur.

By following these recommendations, you will enjoy the beauty and convenience of your unit for many years to come.



Fig. 4-1