

MANTEL ASSEMBLY INSTRUCTIONS

EMBF-1S-(C,DO,O,UH,UO,W)-1 EMBF-2S-(C,DO,O,UH,UO,W)-1
EMBF-3S-(C,DO,O,UH,UO,W)-1 EMBF-4S-(C,DO,O,UH,UO,W)-1
EMBF-5S-(C,DO,O,UH,UO,W)-1 EMBF-6S-(C,DO,O,UH,UO,W)-1
EMBF-7S-(C,DO,O,UH,UO,W)-1 EMBF-8S-(C,DO,O,UH,UO,W)-1

FULL CABINET MANTEL

EFFECTIVE DATE APRIL 2006

INSTRUCTIONS MUST BE LEFT WITH THE OWNER FOR FUTURE REFERENCE AFTER INSTALLATION.

1. Place base in desired location. Place fireplace on base and route gas line to fireplace.

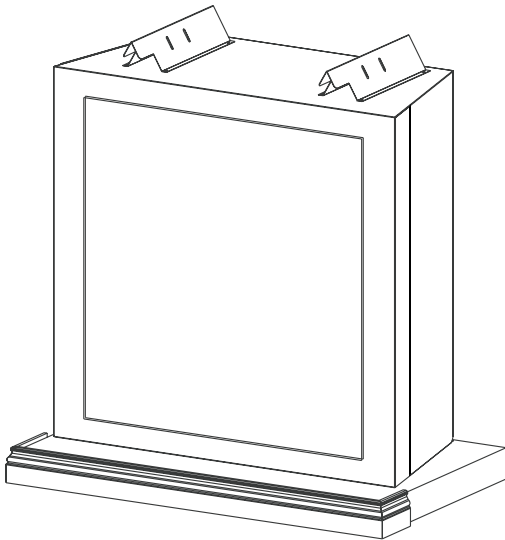


Figure 1

2. Position left side assembly and right side assembly against base.

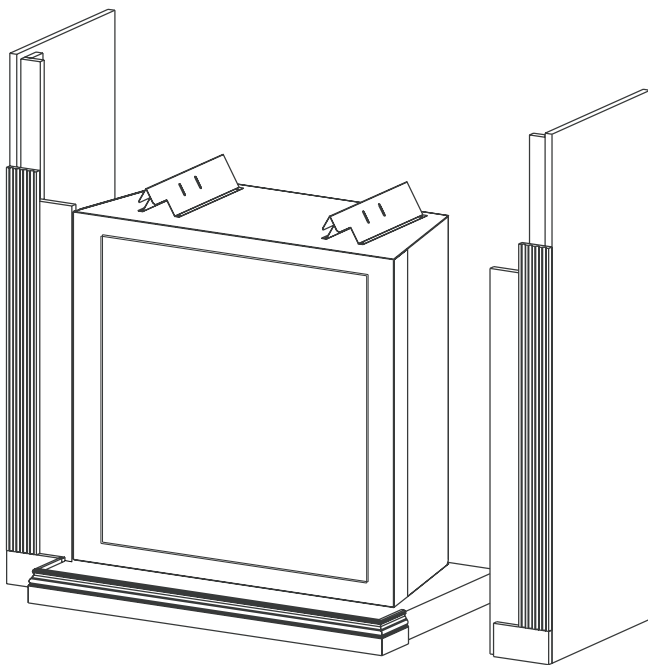


Figure 2

3. Position breastboard assembly to the front of left side assembly and right side assembly.

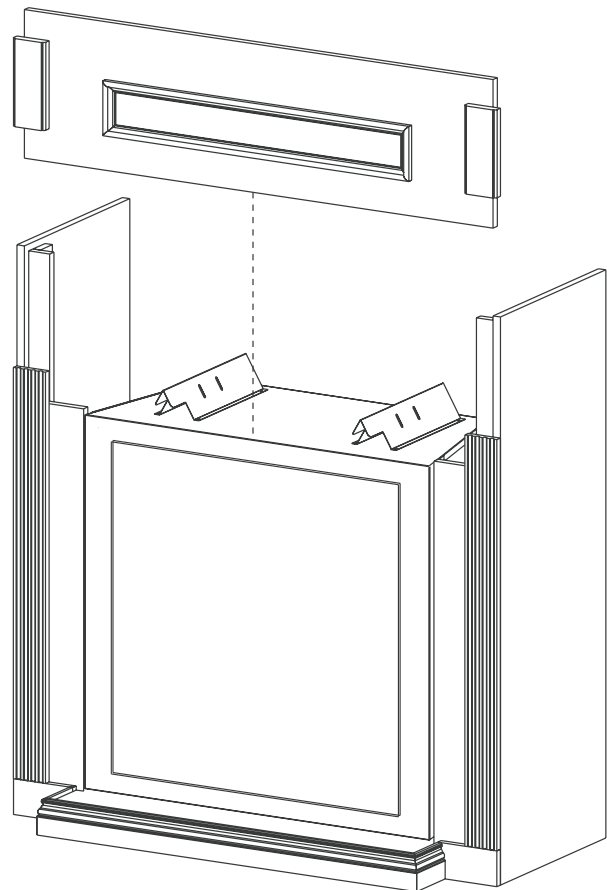


Figure 3

4. Use six (6) 1 1/4" screws to attach breastboard assembly to left side assembly and right side assembly.

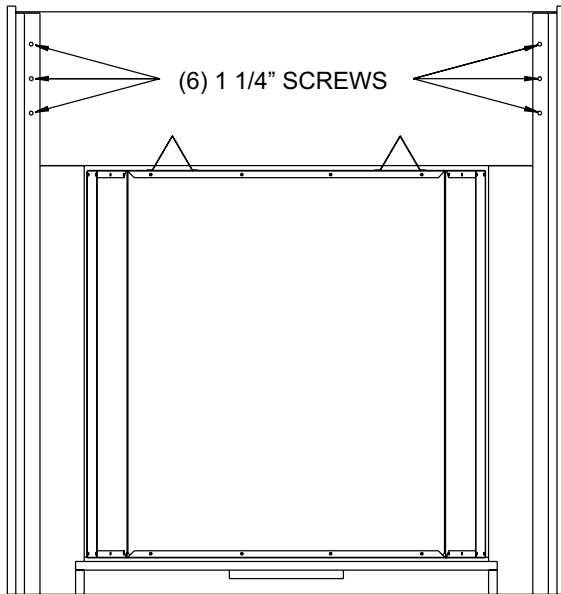


Figure 4

6. Place top assembly onto left side assembly and right side assembly.

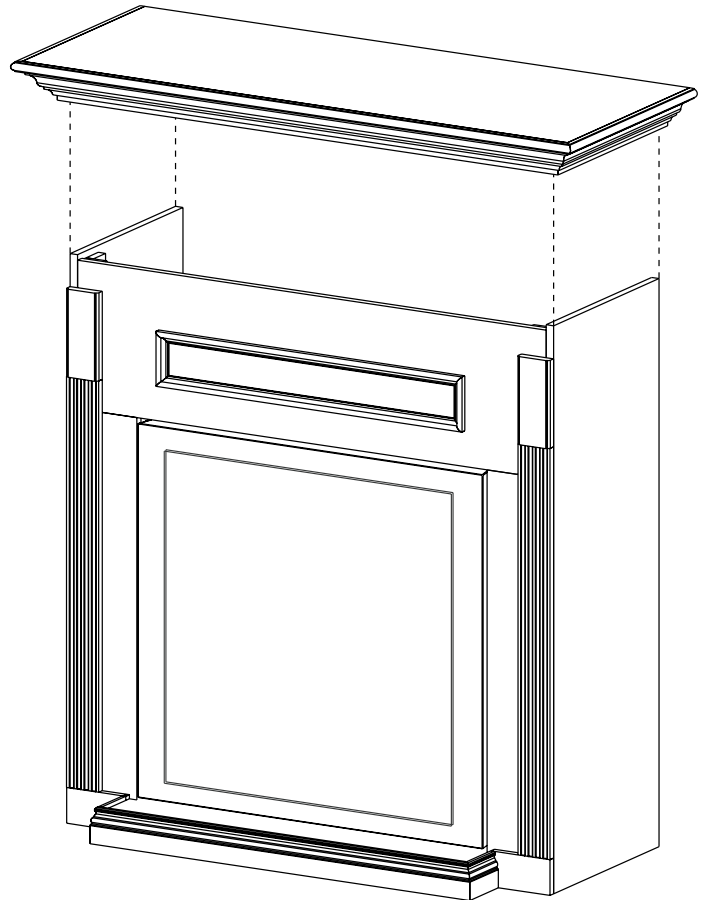


Figure 6

5. Attach "L" Bracket to top of firebox to secure mantel to firebox.

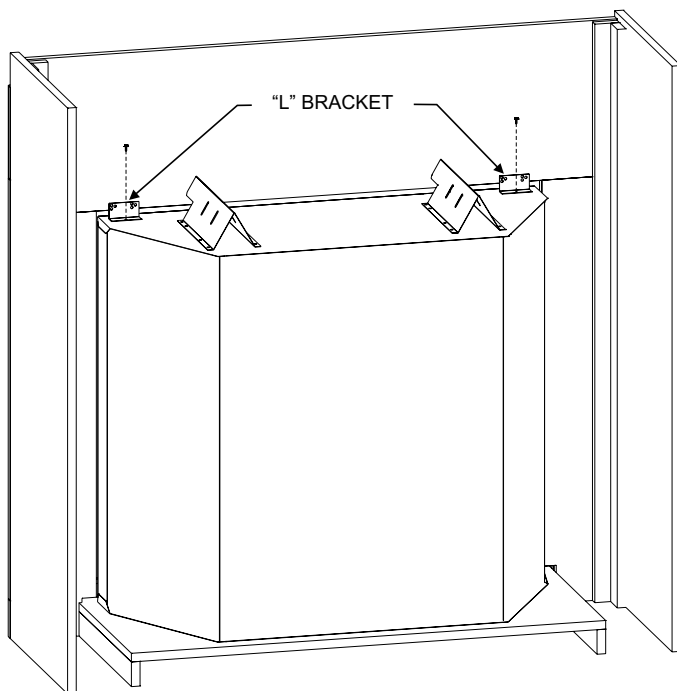


Figure 5

7. Installation of mantel is completed.