



ROTISSERIE KIT

INSTALLER: Leave these instructions with consumer.
CONSUMER: Retain for future reference.



Item	Description	Qty.
1.	Rotisserie motor or Heavy-duty rotisserie motor	1
2.	Rotisserie rod or Heavy-duty rotisserie rod	1
3.	Rotisserie knob	1
4.	Meat holder (pair)	1
5.	Counterbalance	1
6.	Brackets	2-4

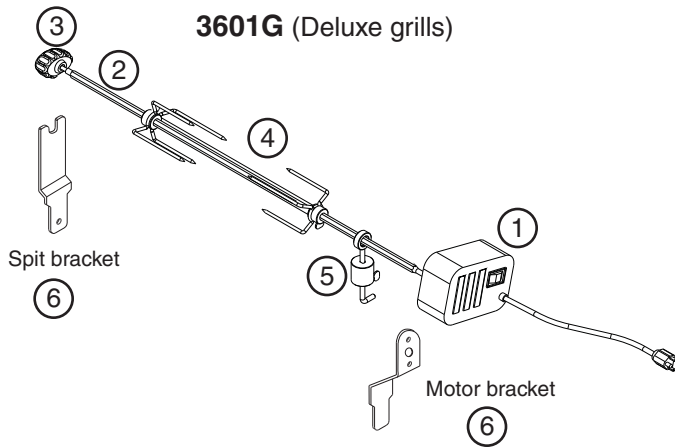


Fig. 1-1

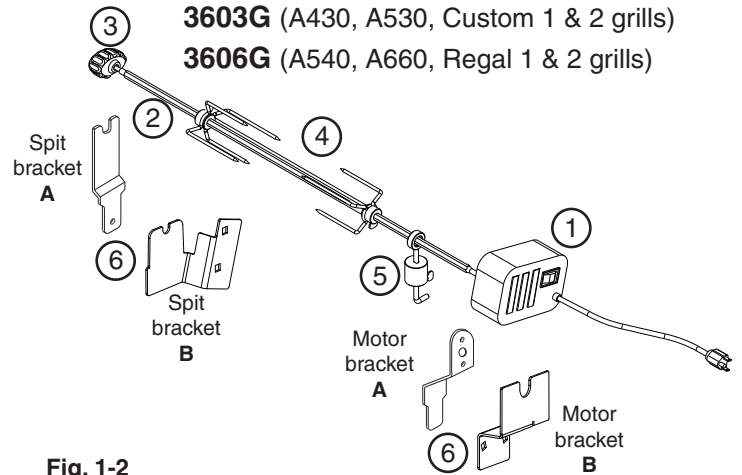


Fig. 1-2

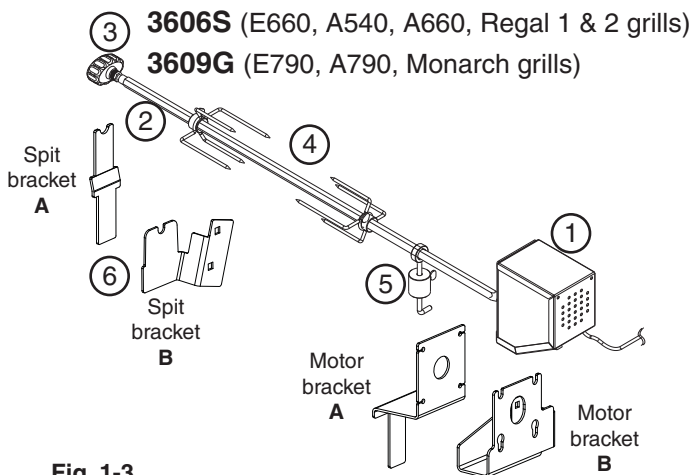


Fig. 1-3

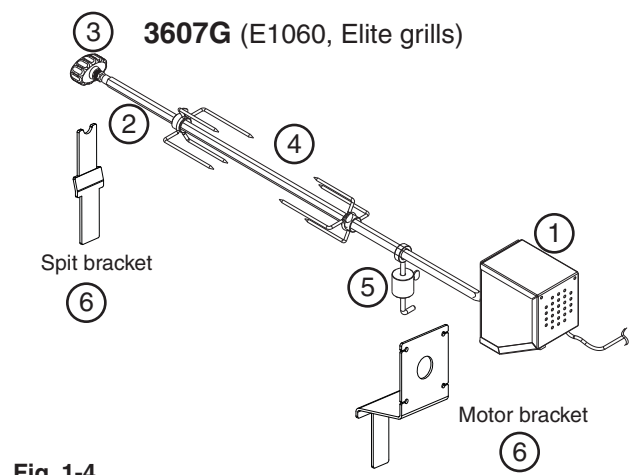


Fig. 1-4

MODEL SPECIFIC BRACKET SETUP

CAUTION: WHEN USING THE BACKBURNER (IF EQUIPPED); KEEP THE OVEN LID CLOSED TO PREVENT HEAT LOSS, PROVIDE PROPER CONVECTION, AND PROVIDE PROPER VENTING. THIS WILL ENSURE EVEN COOKING TEMPERATURES.

DO NOT KEEP YOUR OVEN LID OPEN DURING ROTISSING, AS THIS MAY CAUSE PERSONAL INJURY, OR IN SOME CASES, IN WINDY CONDITIONS, DAMAGE TO THE GRILL.

Follow the appropriate section regarding the initial setup of your rotisserie model. Then proceed to the ROTISSERIE INSTRUCTIONS section for generic rotisserie setup.

3601G MODELS

1. Remove the two small screws from the motor casing (Fig. 2-1). Holding the motor bracket offset tab away from the motor, place the bracket against the motor casing, aligning the spit receiver with the $\frac{3}{4}$ " bracket hole. If the spit receiver is not centered in the $\frac{3}{4}$ " hole when the screw holes are lined up, rotate the bracket (180°) in the opposite direction. Replace and tighten the screws.
2. Place the rotisserie motor with the bracket into the slot on the right side of your grill, making sure the switch and cord are facing away from the grill.
3. Place the spit bracket into the slot on the left side of your grill with the offset facing either in or out to best fit the spit length.
4. Proceed to the ROTISSERIE INSTRUCTIONS section for generic rotisserie setup.

3603G & 3606G MODELS

WHEN INSTALLED ON CUSTOM/REGAL GRILLS:

1. Remove the two small screws from the motor casing (Fig. 2-1). Holding the **(A)** motor bracket offset tab away from the motor, place the bracket against the motor casing, aligning the spit receiver with the $\frac{3}{4}$ " bracket hole. If the spit receiver is not centered in the $\frac{3}{4}$ " hole when the screw holes are lined up, rotate the bracket (180°) in the opposite direction. Replace and tighten the screws.
2. Place the rotisserie motor with the bracket into the slot on the right side of your grill, making sure the switch and cord are facing away from the grill.
3. Place the **(A)** spit bracket into the slot on the left side of your grill with the offset facing either in or out to best fit the spit length.
4. Proceed to the ROTISSERIE INSTRUCTIONS section for generic rotisserie setup.

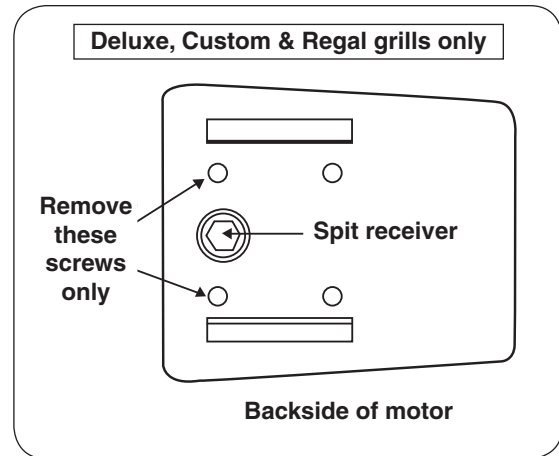


Fig. 2-1 Install bracket to motor (3601G, 3603G, 3606G)

MODEL SPECIFIC BRACKET SETUP (cont.)

WHEN INSTALLED ON AURORA GRILLS:

1. Remove the two carriage bolts and oval plate from the right side of the grill. Discard the plate. Align the **(B)** motor bracket over the exposed holes, with the bracket facing forward. Replace and tighten the carriage bolts. See Fig. 3-1.
2. Repeat for the **(B)** spit bracket on the left side of the grill.
3. Slide the rotisserie motor fully onto the motor bracket (right side, Fig. 3-2).
4. Proceed to the ROTISSERIE INSTRUCTIONS section for generic rotisserie setup.

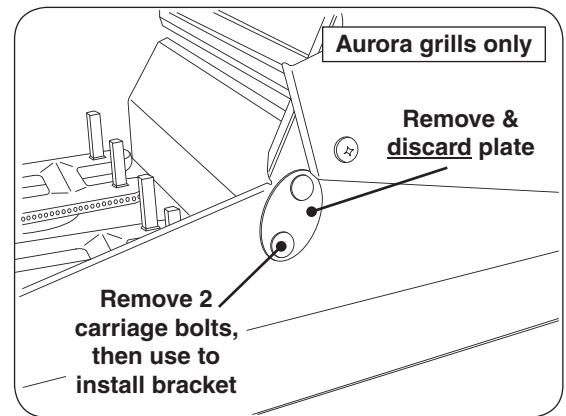


Fig. 3-1 Install bracket on rt side of grill (3603G, 3606G)

3606S & 3609G MODELS

WHEN INSTALLED ON REGAL/MONARCH GRILLS:

1. Remove the four screws from the motor casing. Discard the four washers. Align the **(A)** motor bracket over the exposed holes. Replace and tighten the four screws. See Fig. 3-2.
2. Place the rotisserie motor with the bracket into the slot on the right side of your grill, making sure the motor and cord are facing away from the grill.
3. Place the **(A)** spit bracket into the slot on the left side of your grill with the offset facing either in or out to best fit the spit length.
4. Proceed to the ROTISSERIE INSTRUCTIONS section for generic rotisserie setup.

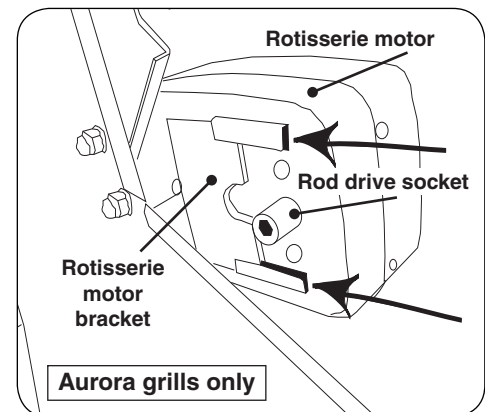


Fig. 3-2 Install motor (3603G, 3606G)

WHEN INSTALLED ON AURORA GRILLS:

1. Remove the two carriage bolts and oval plate from the right side of the grill. Discard the plate. Align the **(B)** motor bracket over the exposed holes. Replace and tighten the carriage bolts. See Fig. 3-1.
2. Repeat for the **(B)** spit bracket on the left side of the grill.
3. Slide the rotisserie motor fully onto the motor bracket (right side, Fig. 3-4).
4. Proceed to the ROTISSERIE INSTRUCTIONS section for generic rotisserie setup.

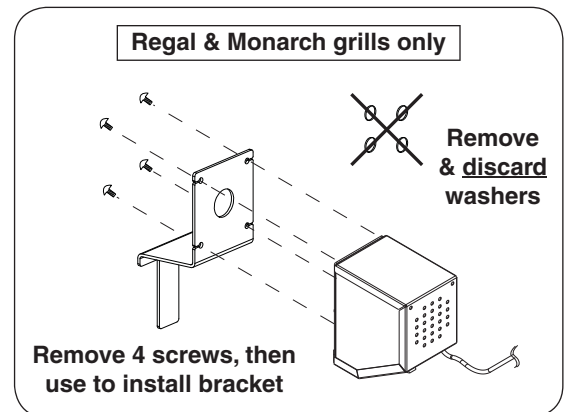


Fig. 3-3 Install bracket to motor (3606S, 3609G)

WHEN INSTALLED ON ECHELON GRILLS:

Echelon grills are always equipped with rotisserie brackets. Discard the supplied brackets.

1. Slide the rotisserie motor fully onto the existing motor bracket on the grill (right side, Fig. 3-4).
2. Proceed to the ROTISSERIE INSTRUCTIONS section for generic rotisserie setup.

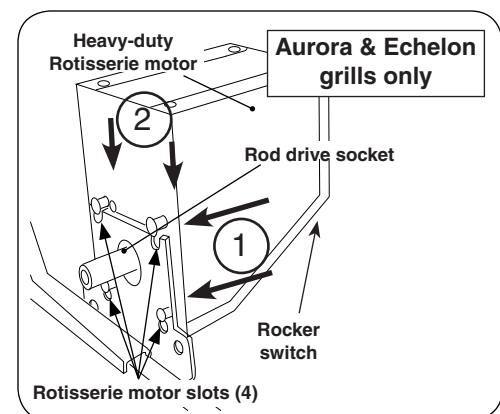


Fig. 3-4 Install motor (3606S, 3609G)

3607G MODELS

WHEN INSTALLED ON ELITE GRILLS:

1. Remove the four screws from the motor casing. Discard the four washers. Align the motor bracket over the exposed holes. Replace and tighten the four screws. See Fig. 4-1.
2. Place the rotisserie motor with the bracket into the slot on the right side of your grill, making sure the motor and cord are facing away from the grill.
3. Place the spit bracket into the slot on the left side of your grill with the offset facing either in or out to best fit the spit length.
4. Proceed to the ROTISSERIE INSTRUCTIONS section for generic rotisserie setup.

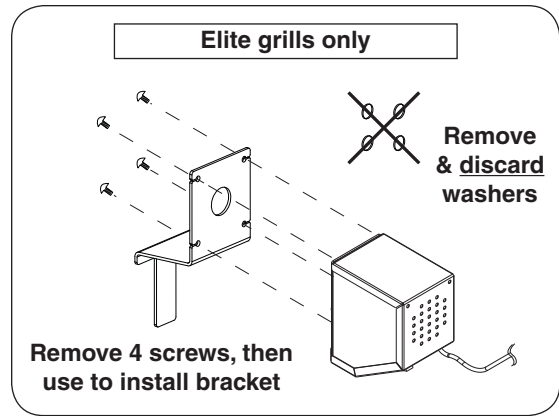


Fig. 4-1 Install bracket to motor (3607G)

WHEN INSTALLED ON ECHELON GRILLS:

Echelon grills are always equipped with rotisserie brackets. Discard the supplied brackets.

1. Slide the rotisserie motor fully onto the existing motor bracket on the grill (right side, Fig. 4-2).
2. Proceed to the ROTISSERIE INSTRUCTIONS section for generic rotisserie setup.

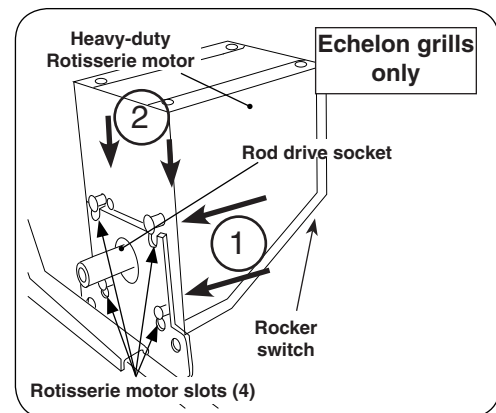


Fig. 4-2 Install motor (3607G)

ROTISSERIE INSTRUCTIONS

1. Remove the warming rack, backburner cover, and cooking grids. Leave the flavor grids on if possible.
2. Slide the left meat holder onto the rod (and tighten), the meat onto the rod and into the holder, followed by the right meat holder onto the rod and into the meat as shown in Fig. 5-1. Tighten the right meat holder. Be sure the meat is centered and balanced as well as possible.
3. Hold both ends of the rod so it settles freely (do not grip tightly). Allow the rod to rotate until the heavy side of the meat rests downward.
4. The counterbalance may then be attached to even weight distribution. Slide counterbalance onto rod next to the meat holder. Loosen the arm and point it upward opposite the heavy side of the meat. Tighten the arm.
5. Slide the counterbalance weight up or down the arm until the rod rotates most evenly then tighten thumb screw (Fig. 5-2 and Fig. 5-3).
6. Insert the pointed end of the rod into the motor drive socket and the groove (next to the knob) into the spit bracket.
7. To keep drippings off the burners and simplify cleanup, place Fire Magic® drip tray liners under the meat, if desired.
8. Plug-in the rotisserie motor and press the rocker switch to start.
9. Light backburner per lighting instructions in the grill owner's manual (or on drip tray handle) and close the oven lid.

Important: Turn the backburner to low or off when stopping the rotisserie to prevent overcooking.

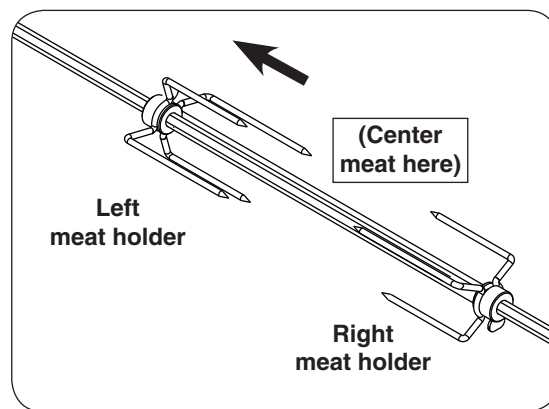


Fig. 5-1 Meat holder & meat orientation

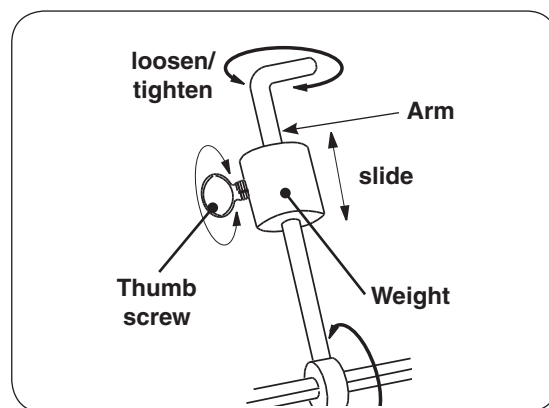


Fig. 5-2 Counterbalance detail

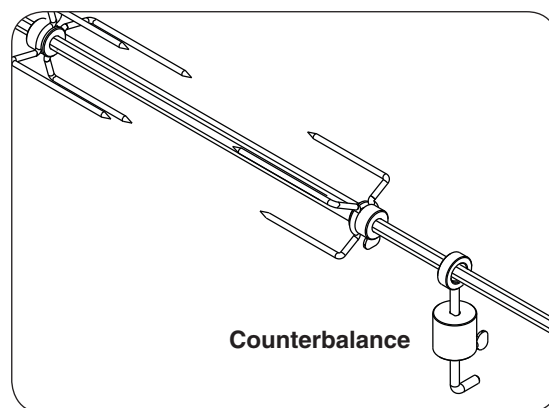
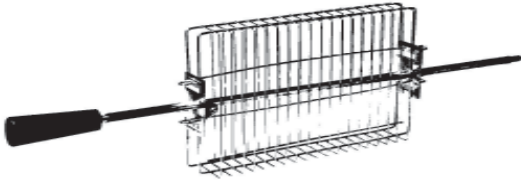


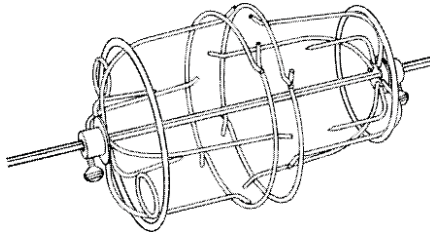
Fig. 5-3 Counterbalance installed

ROTISSERIE ACCESSORIES

Flat rotisserie basket
Model # 3618



Turkey holder
Model 3615
(For Elite/Echelon grills
use 3615-E)



Chicken holder
Model 3617
(For Elite/Echelon grills
use 3617-E)

