



SOLAR MODELS

STAND ALONE AND ISLAND



INSTALLER: Leave these instructions with consumer.
CONSUMER: Retain for future reference.

IMPORTANT: READ ALL INSTRUCTIONS CAREFULLY BEFORE STARTING INSTALLATION OR USE.

GENERAL INFORMATION

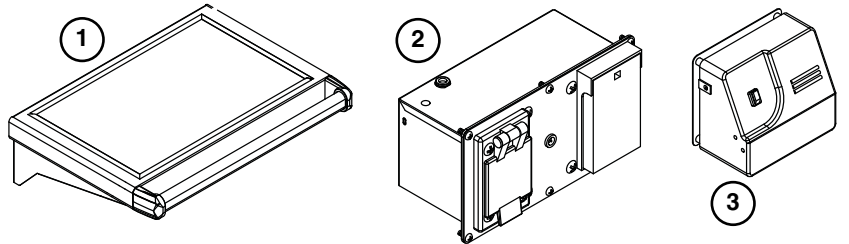
This solar panel instruction manual is in addition to the main instructions included with your grill. Read all instructions completely and carefully prior to installation. Refer to this manual for components related to solar grill models, which are in place of several components listed in the main instruction manual.

- For optimal performance, orient the solar panel so that it will receive the most possible sunlight throughout the day.
- Prior to initial use, the battery must be plugged into a properly grounded three-prong GFI protected receptacle overnight. This will assure a complete charge. An overnight charge will also be required any time after excessive battery drainage.
- For optimal performance, keep the solar panel glass clean and clear of debris/obstructions. Common glass cleaner may be used.



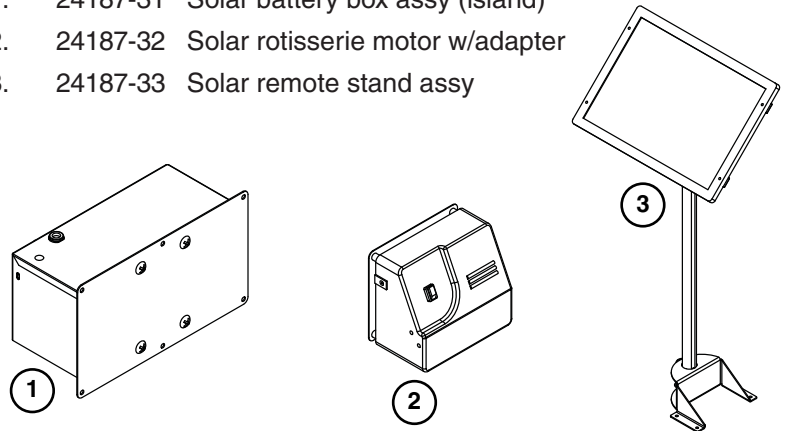
STAND ALONE PARTS LIST

Item	Part No.	Description
1.	24336-17	Solar panel shelf assy
2.	24387-31	Solar battery box assy (stand alone)
3.	24187-32	Solar rotisserie motor w/adaptor



ISLAND PARTS LIST

Item	Part No.	Description
1.	24187-31	Solar battery box assy (island)
2.	24187-32	Solar rotisserie motor w/adaptor
3.	24187-33	Solar remote stand assy



ISLAND INSTALLATION AND USE

Follow all guidelines in your main instruction regarding the installation of your island grill.

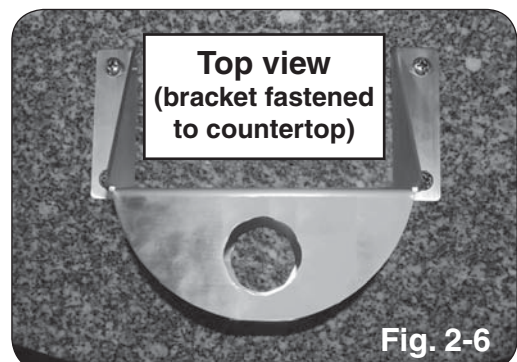
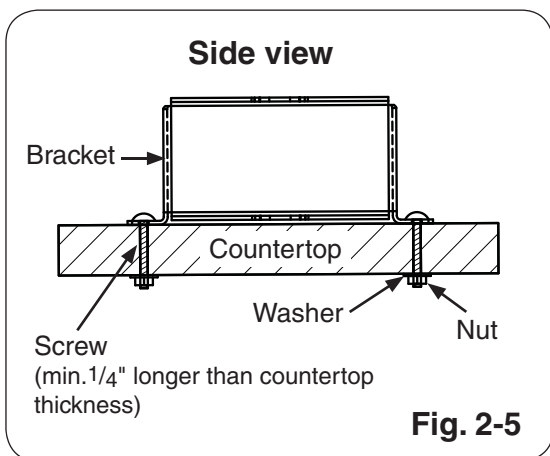
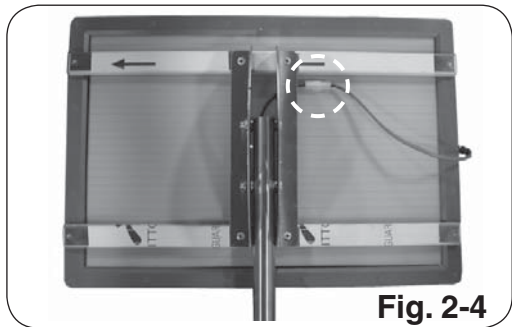
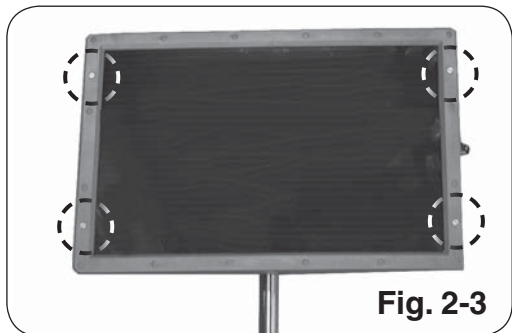
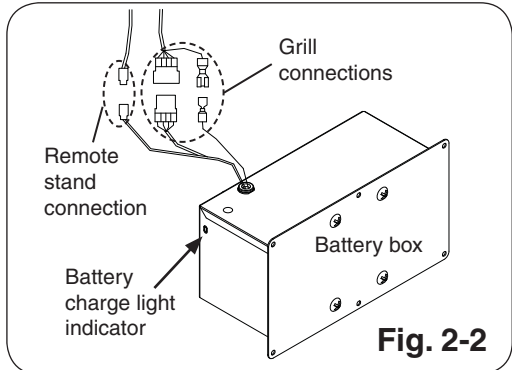
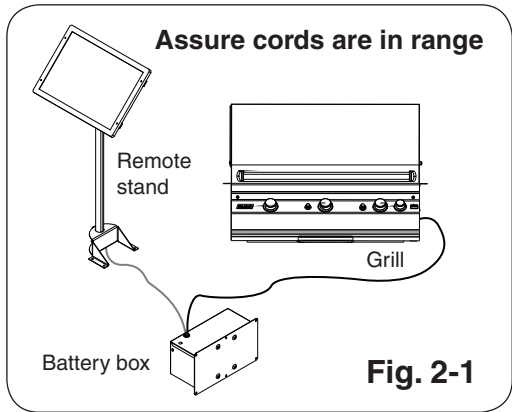
After your island grill has been installed, proceed to battery box and remote stand installation below.

INSTALLATION

The battery box must be installed inside the island enclosure. When deciding upon the location of the battery box, be sure that the battery box is in range to connect to the grill and remote stand cords. It is also recommended that the battery box be installed so that the battery charge light indicator is easily viewable. (See Fig. 2-1 and Fig. 2-2.)

Prior to installing the remote stand to the countertop, the solar panel must be secured onto the remote stand post. Align the four holes in the solar panel with the holes on the remote stand post and fasten using the provided screws. Do not overtighten. See Fig. 2-3. Complete the process by connecting the cord coming from the solar panel to the cord coming out of the remote stand. See Fig. 2-4.

The bracket installation requires four 1/4" stainless steel screws (a minimum of a 1/4" longer than the thickness of the countertop), four 1/4" nylon locking nuts, and four 1/4" fender washers. The ideal location to install the remote stand bracket is the island countertop (see Fig. 2-5.) Use the bracket as a template to mark and drill four through holes in the countertop. To prevent leaks, use a bead of silicone sealant around the four holes on the bottom of the bracket. Then realign the bracket and fasten it to the countertop as shown in Fig. 2-5 and Fig. 2-6. Do not overtighten the screws to prevent the possibility of cracking the countertop.



ISLAND INSTALLATION AND USE (cont.)

Once the bracket is secure to the countertop, lower the remote stand into the bracket. Place the two supplied pins through the remote stand pole as shown in Fig. 3-1. (Prior to lowering the remote stand into the bracket, the remote stand may be rotated left or right to obtain desired solar panel direction.)

Note: Orient the remote stand so that the solar panel receives the most possible sunlight throughout the day. It is recommended to direct the solar panel toward the south.

To complete installation, set the solar panel to the desired angle. Use a Phillips screwdriver and a $7/16$ " wrench to tighten. (See Fig. 3-2.)

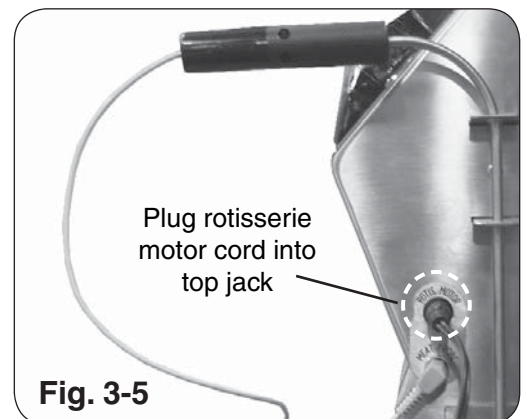
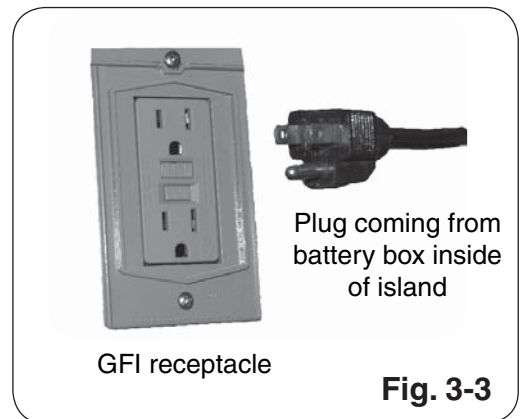
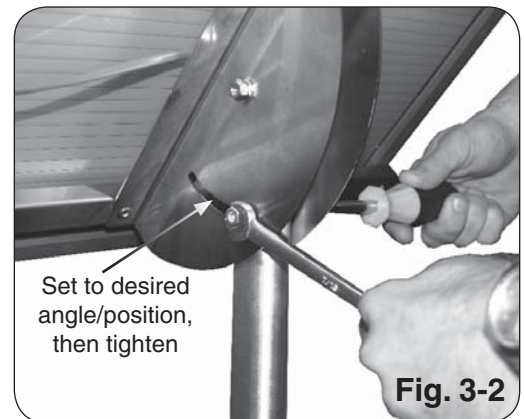
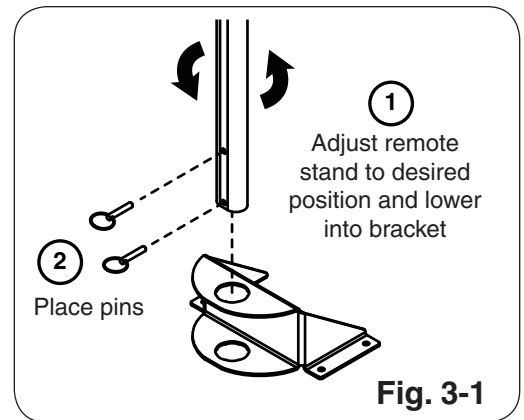
CHARGING

Prior to initial use and after any excessive battery drainage; the battery must be charged **overnight** by plugging into a properly grounded three-prong GFI protected receptacle. The cord runs directly from the battery box. Reference Fig. 3-3.

Note: The battery box has a battery charge light indicator (see Fig. 2-2). It glows red when charging is in process and green when charging is complete.

ROTISSERIE MOTOR

The rotisserie motor cord is connected to the grill face. Prior to rotisserie use, plug the power cord as shown in Fig. 3-4 and Fig. 3-5.



STAND ALONE INSTALLATION AND USE

LOCATION

While following all guidelines in your main instruction regarding location and placement of your stand alone grill, orient the grill so that the solar panel receives the most possible sunlight throughout the day.

CHARGING

Prior to initial use and after any excessive battery drainage; the battery must be charged **overnight** by plugging into a properly grounded three-prong GFI protected receptacle. Plug the power supply cord to the battery box located on the right side of the grill, then to the GFI receptacle. Reference Fig. 4-2.

Note: The battery box has a battery charge light indicator which can be viewed when the right cart door is open. It glows red when charging is in process and green when charging is complete.

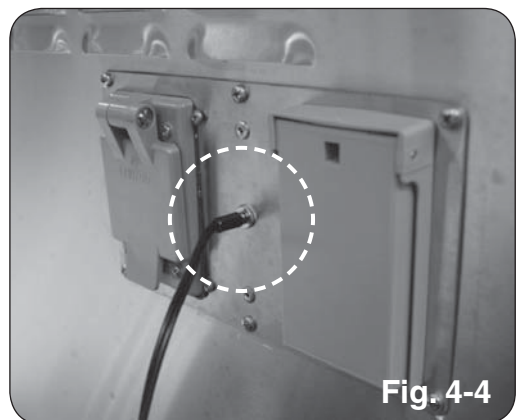
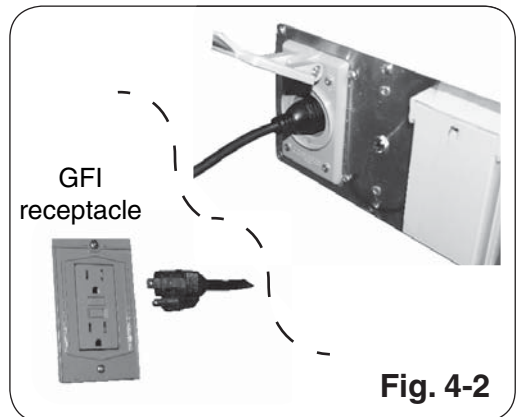
SOLAR PANEL SHELF

The solar panel shelf may be regularly used just as an ordinary shelf is. However, when the grill is not in use, keep the solar panel shelf clear of any obstructions. This will allow for optimal charging conditions. To prevent scratching; do not use a knife to cut on the solar panel.

CAUTION: Do not lift the grill by the solar panel shelf. This may crack/damage the solar panel.

ROTISSERIE MOTOR

The rotisserie motor cord is connected directly to the battery box. Prior to rotisserie use, plug the power cord as shown in Fig. 4-3 and Fig. 4-4.



SOLAR MODEL LIGHTING (IGNITION) INSTRUCTIONS

Read all instructions before lighting, and follow these instructions each time you light the grill.

ELECTRONIC LIGHTING

Note: Grill must be fully charged or connected to 110VAC power for electronic lighting.

1. Open lids or remove covers from burners to be lit.
2. Turn all gas control knobs to their **OFF** positions.
3. Turn on the gas at its source.

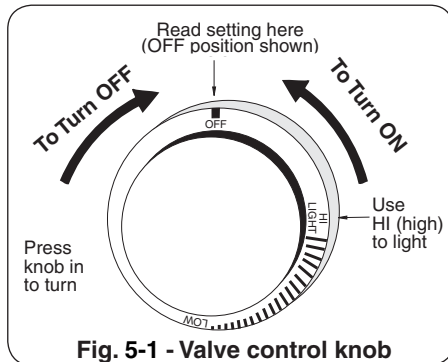


Fig. 5-1 - Valve control knob

Note: DO NOT turn on more than one valve at a time for either electronic or manual lighting.

4. Depress the desired control knob, and while pressing turn it counterclockwise to the **HI LIGHT** position. Once the burner lights, release the control knob.

CAUTION: If a burner does not light within five (5) *seconds* of turning on the control knob, depress the knob and turn it to the **OFF** position. **WAIT FIVE (5) MINUTES** before repeating step 4. If you smell gas, follow the instructions on the cover of this manual. If the burners still do not light after several attempts, refer to the instructions for manual lighting.

5. Repeat step 4 for each additional burner to be lit.

Important: When lighting the burner under the flavor/smoker drawer, first remove the drawer so that the burner can be easily seen. Then replace the drawer after the burner is lit.

WHEN USING A PORTABLE PROPANE TANK

Propane tanks are equipped with a safety shutdown device that may cause low or no gas pressure/flame at the burners if operating and lighting instructions are not followed exactly (See important note in the TROUBLESHOOTING section for more details.)

MANUAL LIGHTING

CAUTION: Always wait five (5) minutes for gas to clear after any unsuccessful lighting attempt.

1. Follow steps 1 through 3 (left).
2. Insert either a burning long-barrel butane lighter or a burning long-stem match through the cooking grid opening to the top of the lighting tube. (Fig. 5-2). For backburners, hold the flame against the perforated material of the backburner. For sideburners, hold the flame against the burner.
3. While holding the match or lighter flame at the top of the lighting tube or next to the burner (sideburner and backburner only), depress the appropriate valve knob, and while pressing turn it counterclockwise to the **HI LIGHT** position. Remove the lighter or match when the burner lights, and release the control knob.
4. If the burner does not light, **immediately depress the knob and turn the valve to OFF**. **WAIT FIVE (5) MINUTES** before repeating steps 2 through 4 of the **MANUAL LIGHTING** instructions.

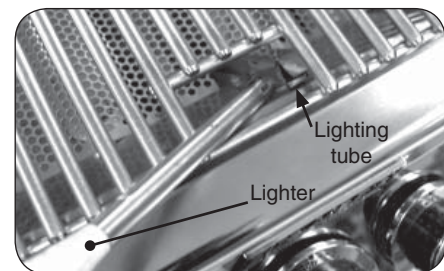


Fig. 5-2 - Manual lighting

SHUTTING OFF THE GRILL

To shut off the grill, depress each valve control knob, and while pressing turn it clockwise to the **OFF** position.

Always close the valve from the gas supply after each use of the grill.

SOLAR GRILL NOTES PAGE

Please use this page to record any information about your solar grill that you may want to have at hand.