



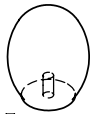
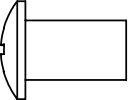

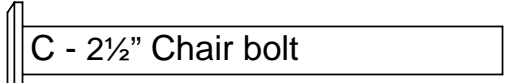
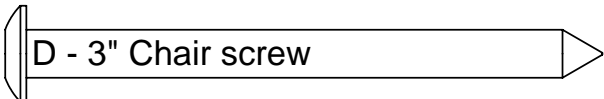
# Assembly Instructions

Model: K47

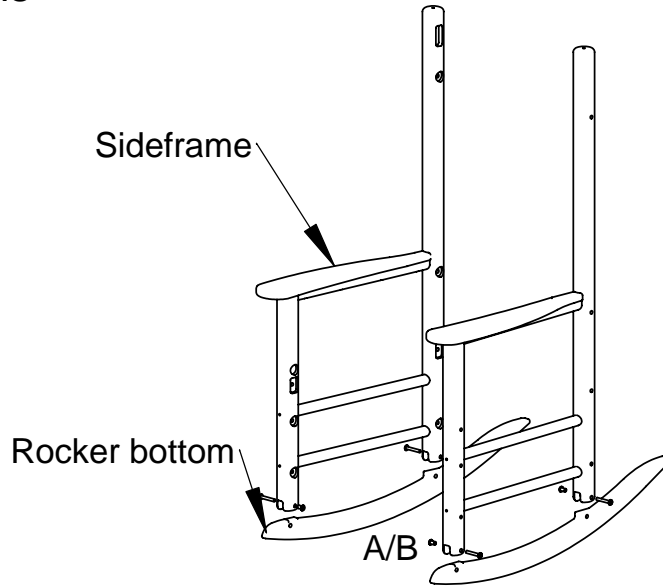
- \_\_\_ (1) Hardware pack
- \_\_\_ (2) Sideframes
- \_\_\_ (2) Rocker bottoms
- \_\_\_ (1) Back insert
- \_\_\_ (1) Seat insert
- \_\_\_ (1) Seat frame
- \_\_\_ (2) Long braces
- \_\_\_ (1) Short brace
- \_\_\_ (1) Head piece

## TOOLS NEEDED

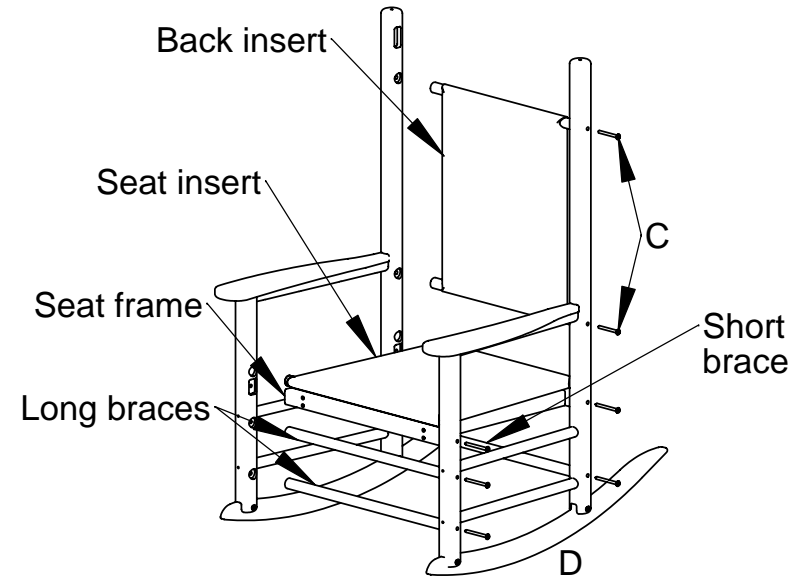
4mm HEX KEY: INCLUDED  
Phillips head screwdriver (for barrel nut)

Qty.	Description
2	 Finial w/dowell screw
4	 A - Barrel nut
4	 B - 1 3/4" Chair bolt
4	 C - 2 1/2" Chair bolt
10	 D - 3" Chair screw

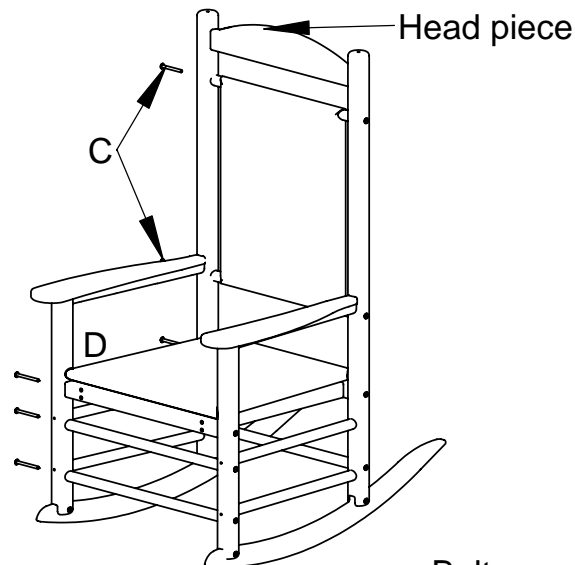
**Step 1**  
Attach rocker bottoms to sideframes using (4) 1 3/4" chair bolts and (4) barrel nuts.  
**Note: Insert barrel nut into hole first. Barrel nut goes on the inside of the leg.**



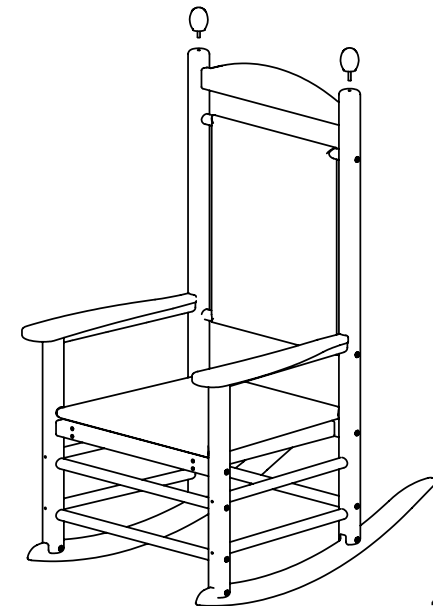
**Step 2**  
Attach long braces, short braces, seat frame and seat insert to one of the sideframes using (5) 3" chair screws. Attach back insert to sideframe using (2) 2 1/2" chair bolts.  
**Note: front of seat is wider**



**Step 3**  
Insert head piece into top of post  
Repeat step 2 on other side



**Step 4**  
Attach finials to top of post



Bolts are 1/4-20

4/10/08



### ***Cleaning/Maintenance***

Poly-Wood furniture is made of HDPE plastic resin that has been purified and UV protected. It is generally cared for and cleaned with soap and warm water. For certain stains and additional cleaning power, a 1/3 bleach and 2/3 water solution can be used without affecting the color. Also, a popular method of cleaning is a high-pressure power wash. (Not to exceed 1,500 psi.) The surface characteristics of the product may require the use of a soft bristle brush to get into the creases.

The hardware used in the assembly and construction of our furniture is a 300 series commercial grade stainless steel that has an additional "Xylan" protective and cosmetic coating. Although the quality of the hardware has a high level of corrosive resistance, the hardware can show some sign of corrosion, especially in salt air environments. A practical solution to these signs of corrosion would be to wash the product with soap and warm water. Use a soft bristle brush to scrub the corroding areas of the hardware. Also, appliance touch up paint may be used in the appropriate color to protect the hardware. Appliance touch up paint can be purchased at local hardware stores.

### ***Warranty***

Poly-Wood, Inc. warranties to the original purchaser for a period of five (5) years of residential use and one (1) year for commercial use starting from the date of purchase. This warranty covers any defects in the manufacturing and workmanship of the furniture components. "Defects" is defined as imperfections that impair the original function of the product. This warranty does not apply to normal wear and tear effects on the furniture, which are received by regular use of the furniture. Neither does it cover damage due to unauthorized repairs or alterations, negligence, misuse or abuse, improper assembly and acts of God. This warranty does not apply to the hardware used to assemble the furniture.

The original purchaser is responsible for providing sales support with the proper documentation needed to determine a resourceful solution for the defect. Possible solutions are replacement or repair of the defective furniture, replacement or repair of defective component, or authorization repairs by a third party.

The proper documentation required is by providing the proof of purchase with the original receipt and a written explanation of how the defect occurred. Once the documentation has been received and evaluated, the customer will be notified of the solution. If the product is not returned within 60 days of date of purchase, the customer is responsible for all shipping charges that may apply.

**Poly-Wood Cushion Warranty:** Poly-Wood, Inc. warranties to the original purchaser for a period of one (1) year from date of purchase. This warranty does not apply to normal wear and tear effects on the cushions, which are received by regular use of the cushions. Neither does it cover damage due to unauthorized repairs or alterations, negligence, misuse or abuse, improper assembly and acts of God. This warranty covers any defects in the manufacturing and workmanship of the cushion.

Send the proper documentation to your retailer.

Sit back, relax and forget about it.